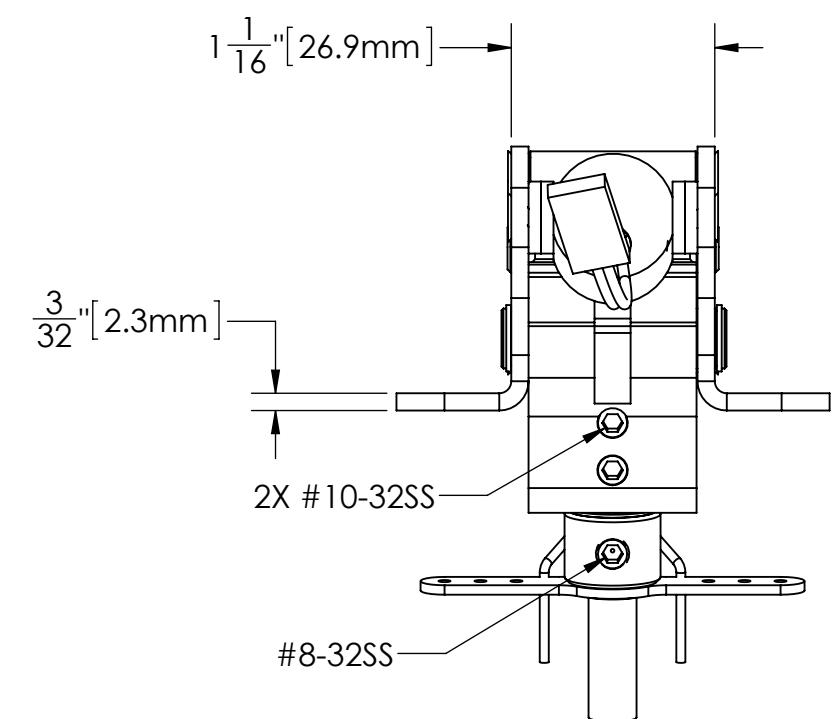
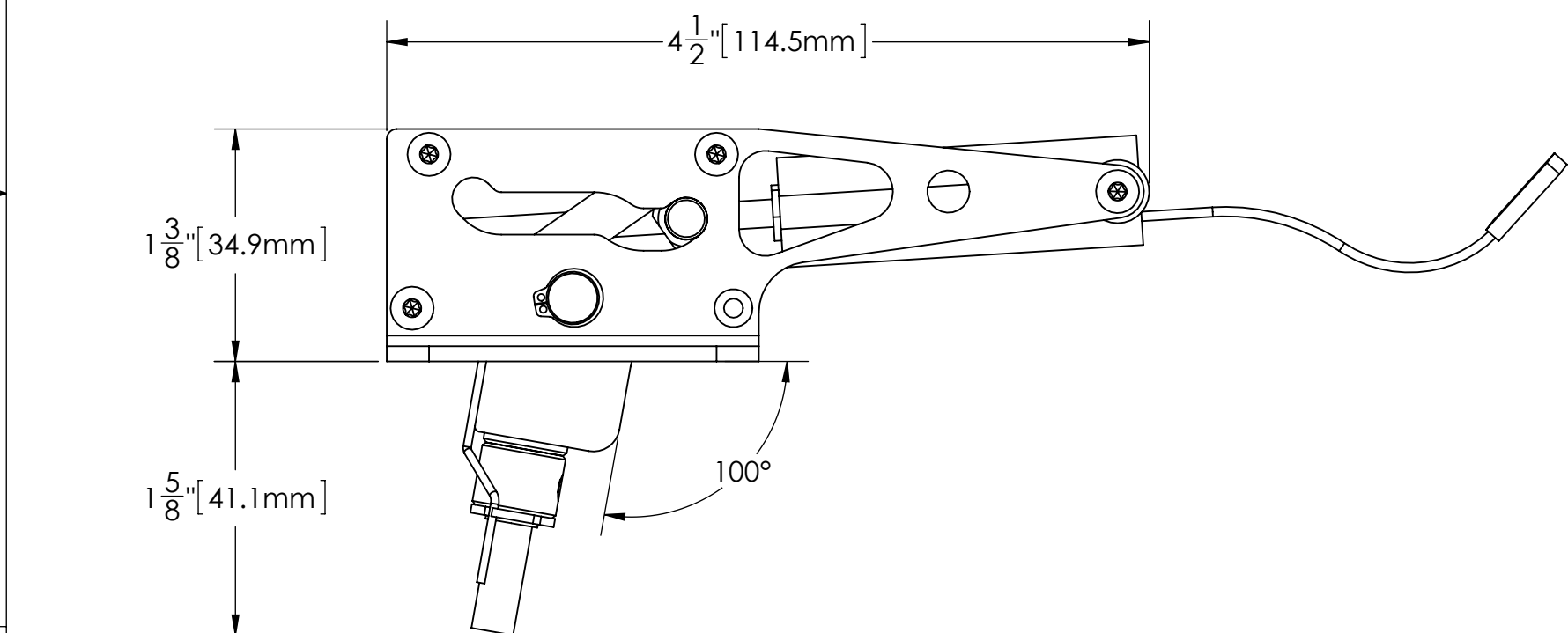
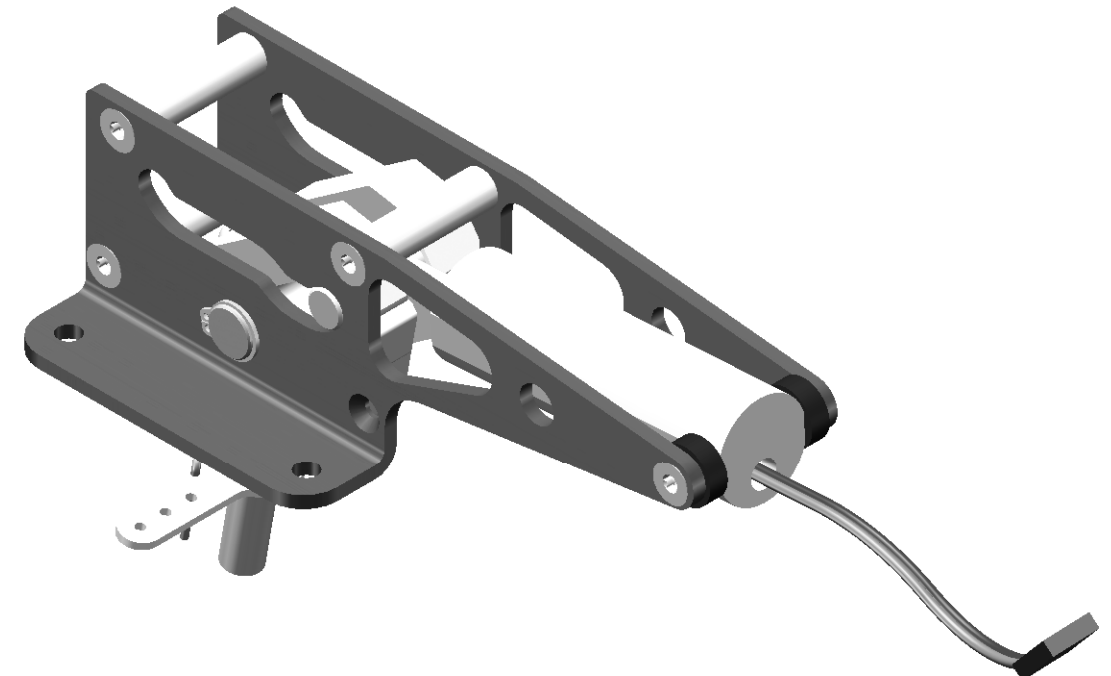
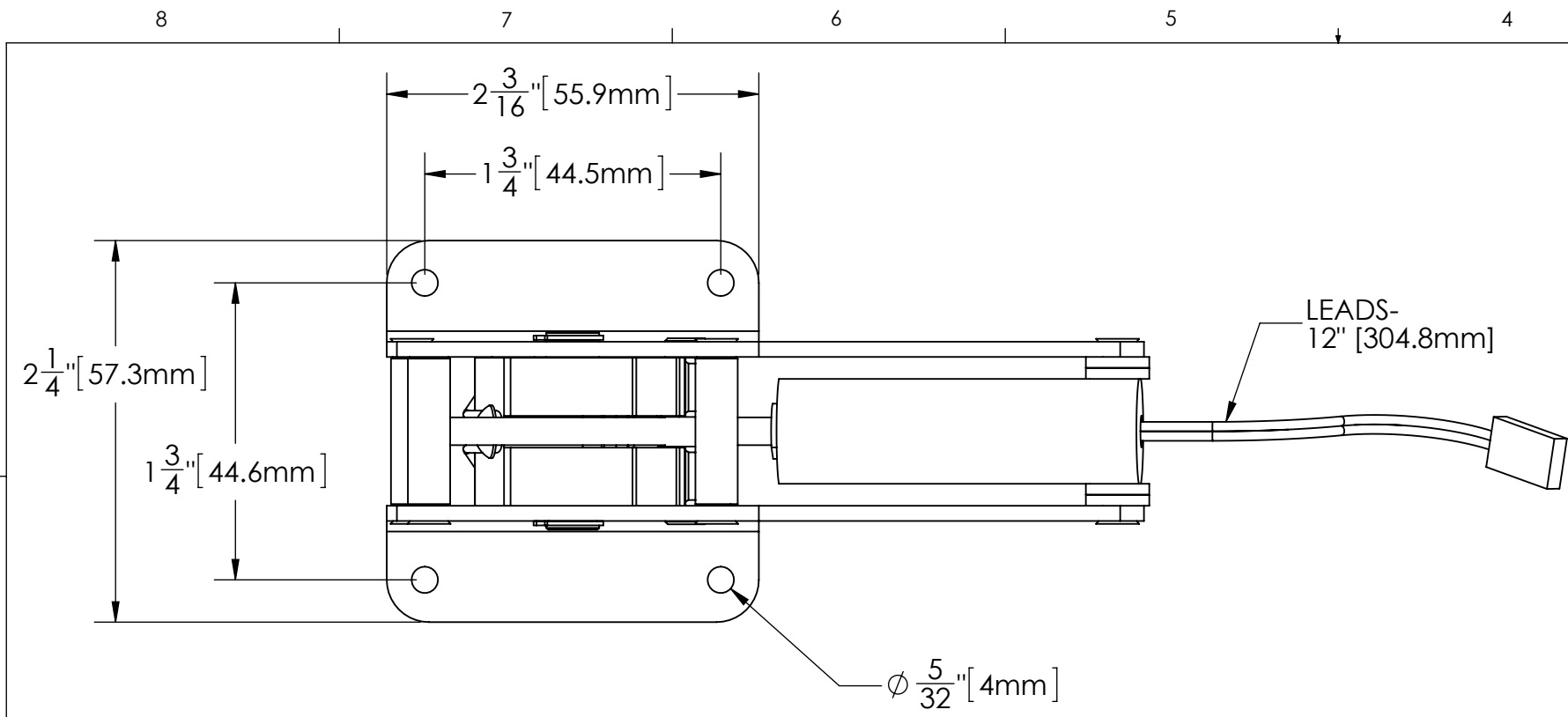
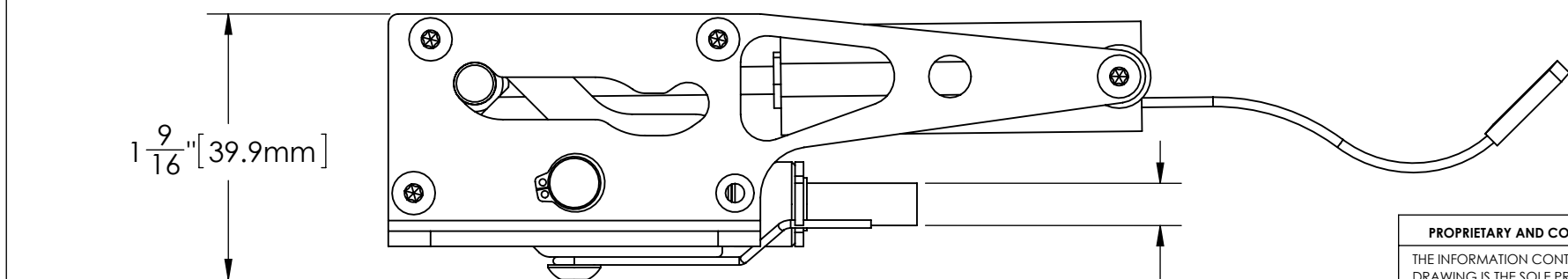


REVISIONS			
REV.	DESCRIPTION	DATE	APPROVED



RETRACTED



UNITS:
INCH [mm]

PROPRIETARY AND CONFIDENTIAL THE INFORMATION CONTAINED IN THIS DRAWING IS THE SOLE PROPERTY OF ROBART MANUFACTURING. ANY REPRODUCTION IN PART OR AS A WHOLE WITHOUT THE WRITTEN PERMISSION OF ROBART MANUFACTURING IS PROHIBITED.	UNLESS OTHERWISE SPECIFIED: DIMENSIONS ARE IN INCHES TOLERANCES: FRACTIONAL $\pm 1/32$ ANGULAR: MACH $\pm 1^\circ$ BEND $\pm 1^\circ$ TWO PLACE DECIMAL ± 0.01 THREE PLACE DECIMAL ± 0.005 FOUR PLACE DECIMAL ± 0.0005	DRAWN	N.MARC	DATE
		CHECKED		
		MFG APPR.		
		Q.A.		

ROBART MFG.		
TITLE: DIMENSIONAL DETAILS 639HDRSE		
SIZE B	DWG. NO. 639HDRSE DIM	REV -
SCALE: 1:1	WEIGHT:	SHEET 1 OF 1