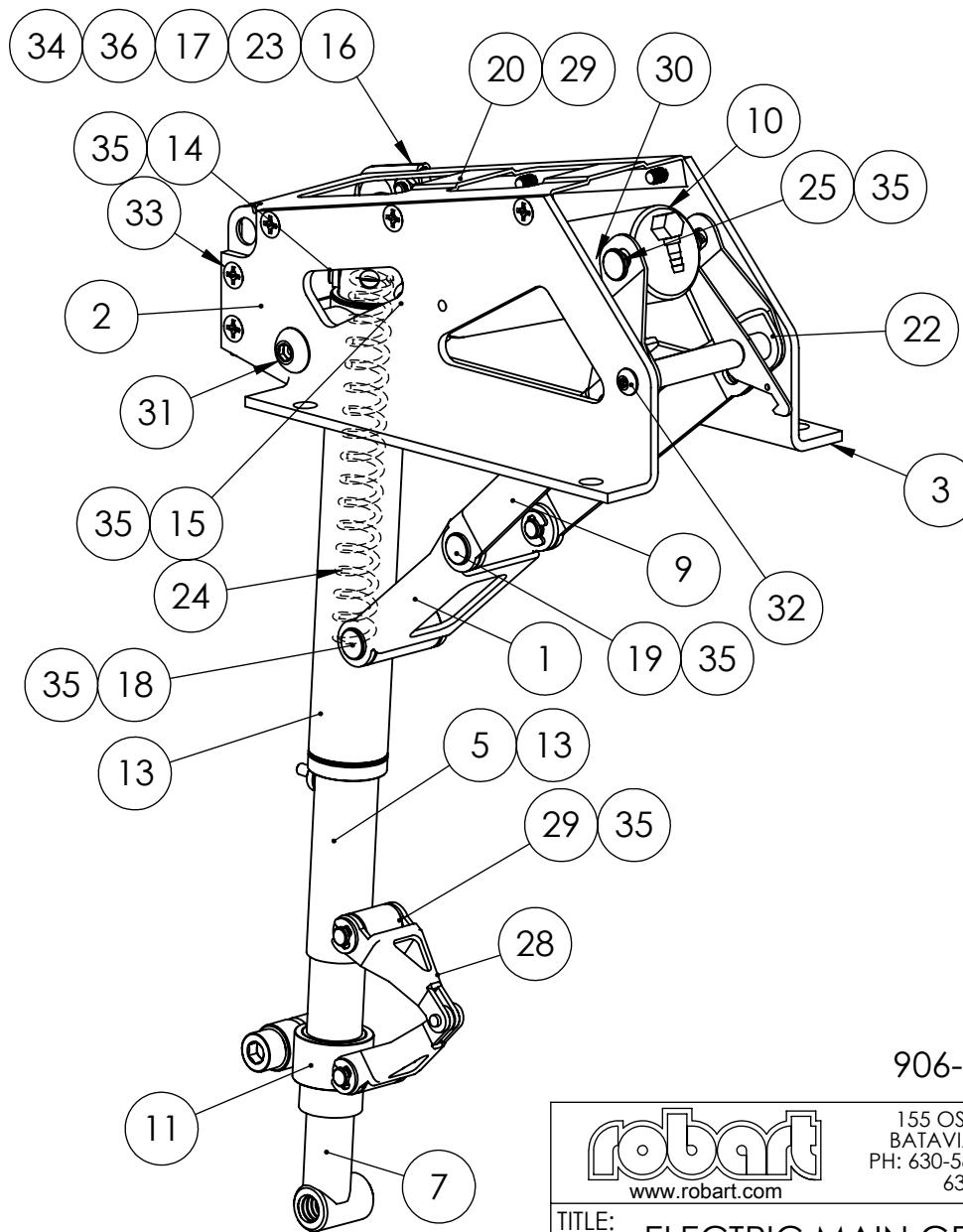


SPARE PARTS LIST

QTY.	ITEM NO.	DESCRIPTION	PART #
1	1	LOWER LIFT LINK	148028M
1	2	SIDE PLATE (LH)	148036M
1	3	SIDE PLATE (RH)	148037M
1	4	CAM FOLLOWER	148102A
1	5	ROTATION STRUT	148103A
1	6	ROTATION STRUT (LH)	148104A
1	7	OLEO RAM WELDMENT	148106A
1	8	UP LOCK LATCH	148003M
1	9	LIFT LINK ASSEMBLY	148105A
1	10	CYLINDER ASSEMBLY	148108A
1	11	ADJ. TORQUE LINK MOUNT-RH	148110A
1	12	ADJ. TORQUE LINK MOUNT - LH	148111A
1	13	TRUNION ASSEMBLY	148112A
1	14	CLEVIS PIN	150002M
1	15	CLEVIS PIN	150018M
1	16	CAM FRAME - RH	150047M
1	17	CAM BALL	150032M
1	18	CLEVIS PIN	150010M
2	19	CLEVIS PIN	150033M
1	20	SPACER BRACKET-RH	150051M
	21	SPACER BRACKET - LH	150050M
1	22	LIFT YOKE PIVOT PIN	150004M
1	23	CAM FRAME- LH	150049M
1	24	COMPRESSION SPRING	150019P
1	25	CYLINDER CLEVIS PIN	150012M
1	26	LATCH SPACER	150001M
1	27	LATCH SPACER	150005M
1	28	TORQUE LINK ASSEMBLY	620112A
2	29	CLEVIS PIN	620012M
1	30	#4 X 3/8 PPHSMS	1012F
2	31	#10-32 X 1/4 BHCS	1021F
2	32	#4-40 x 3/16" BHSMS	1022F
8	33	#4 X 1/4 PFHMS	1026F
2	34	#4-40 HEX NUT	1035F
8	35	E-CLIP	1039F
2	36	#4-40 X 1/4" BHMS	1047F

AXLE BAG: 150142A (1)



906-367M



155 OSWALT AVE.
BATAVIA, IL. 60510
PH: 630-584-7616 FX:
630-584-3712

TITLE: ELECTRIC MAIN GEAR
SPARE PARTS LIST
(RH SHOWN)

PROPRIETARY AND CONFIDENTIAL
THE INFORMATION CONTAINED IN THIS DRAWING IS THE SOLE
PROPERTY OF ROBART MANUFACTURING. ANY REPRODUCTION
IN PART OR AS A WHOLE WITHOUT THE WRITTEN PERMISSION OF
ROBART MANUFACTURING IS PROHIBITED.

	NAME	DATE
DRAWN	B.METZ	8/30/18
CHECKED		

148SP

REV -