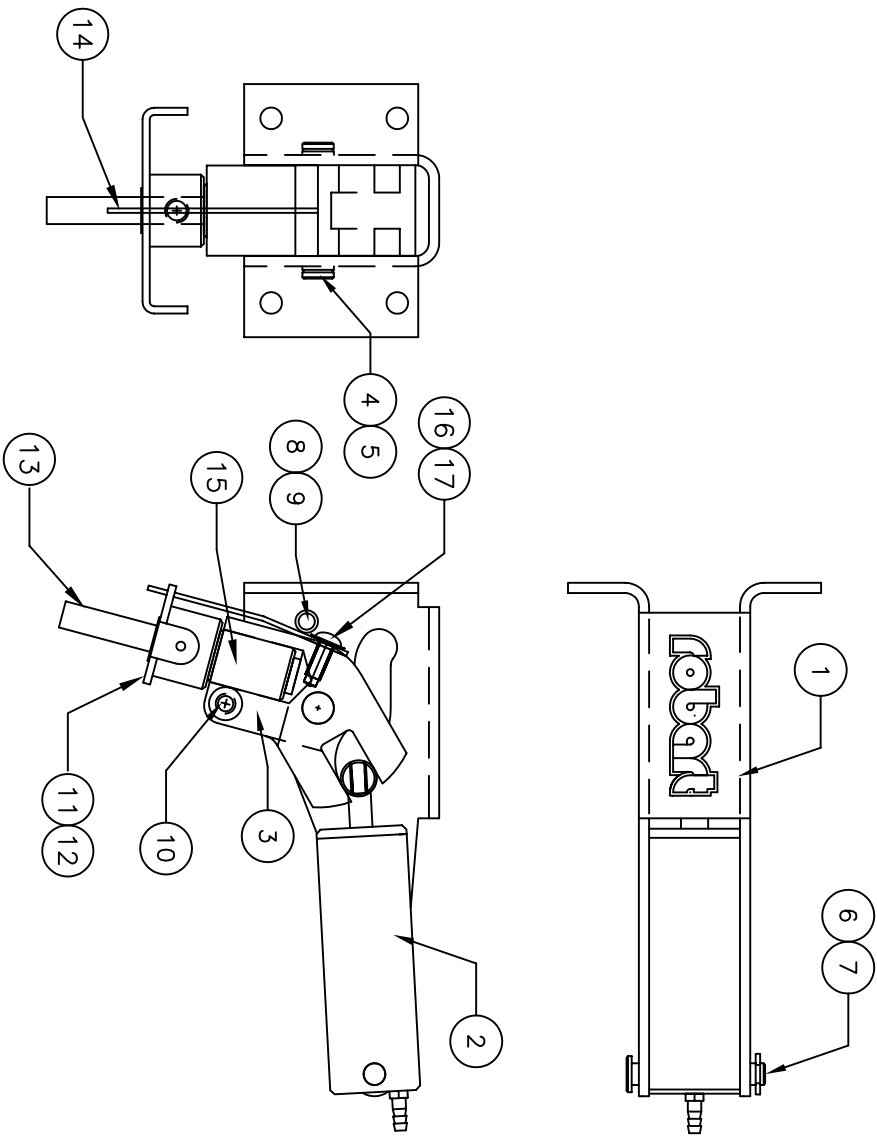


** THIS IS YOUR SPARE PARTS LIST. SAVE FOR FUTURE REFERENCE, ORDER BY PART NUMBER. CURRENT PRICES WILL BE QUOTED.**

SPARE PARTS LIST

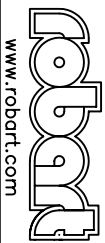
| QTY | ITEM NOTE | DESCRIPTION | ASS'Y/PART # |
|-----|-----------|-----------------------------|--------------|
| 1 | 1 | 105° FRAME - FIREWALL MOUNT | 517-001M |
| 1 | 2 | CYLINDER ASSEMBLY | 510-108A |
| 1 | 3 | TRUNION 3/8" BORE | 510-002M |
| 1 | 4 | TRUNION PIVOT PIN | 530-026M |
| 2 | 5 | TRUNION RETAINING RING | 1125F |
| 1 | 6 | CLEVIS PIN | 150-012M |
| 1 | 7 | E CLIP | 1039F |
| 1 | 8 | FRAME SPACER | 530-021M |
| 2 | 9 | FRAME SCREW | 1047F |
| 1 | 10 | CLAMP SCREW | 1048F |
| 1 | 11 | STEERING ARM ASSEMBLY | 530-125A |
| 1 | 12 | #10-32 SET SCREW | 1145F |
| 1 | 13 | PIVOT PIN (AXLE) | 650-010M |
| 1 | 14 | CENTERING SPRING | 550-230M |
| 1 | 15 | STEERING BEARING | 510-005M |
| 1 | 16 | CENTERING SPRING SCREW | 1022F |
| 1 | 17 | #4 FLAT WASHER | 1102F |



906-251M

FACTORY REPAIR FEE= \$25.00 PLUS PARTS

| | | |
|-----------|--------------------------|-----------------|
| CHK'D BY | | MFG. INC. |
| DRAWN BY | J. REHAK | 625 N. 12TH ST. |
| DATE | 6/05 | ST. CHARLES, IL |
| MODEL No. | 517RS | (630)584-7616 |
| TITLE | 517 105° NDSE GEAR | |
| | FIREWALL MOUNT | |
| | ECONOMY SPARE PARTS LIST | |



www.robot.com