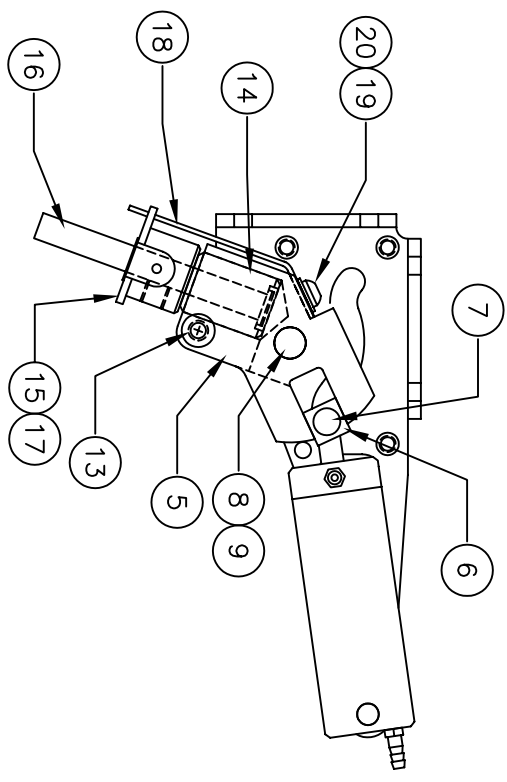
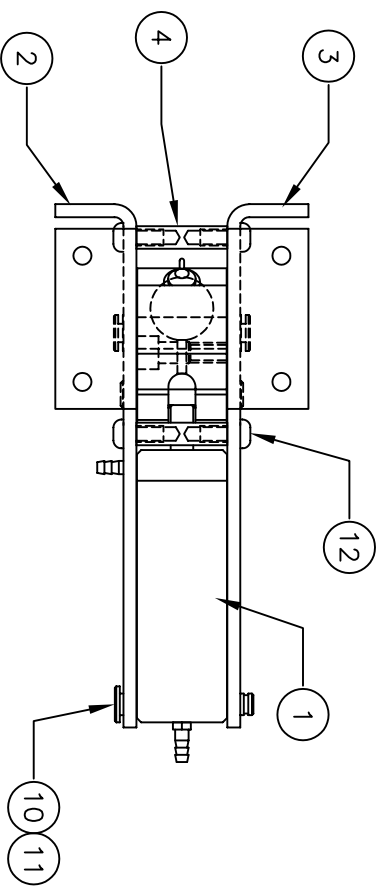
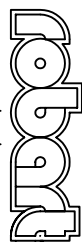


\*\* THIS IS YOUR SPARE PARTS LIST. SAVE FOR FUTURE REFERENCE, ORDER BY PART NUMBER. CURRENT PRICES WILL BE QUOTED.\*\*



## SPARE PARTS LIST

QTY	ITEM	DESCRIPTION	ASSY/PART #
1	1	CYLINDER ASSEMBLY	530-120A
1	2	SIDE FRAME LH	550-220M
1	3	SIDE FRAME RH	550-221M
3	4	FRAME SPACER	530-021M
1	5	TRUNION	550-209M
2	6	CAM BLOCK	530-030M
1	7	CAM PIN	530-029M
1	8	PIVOT PIN	530-026M
2	9	RETAINING RING	1125F
1	10	CLEVIS PIN	150-012M
1	11	RETAINING RING	1039F
6	12	#4-40 x 1/4 BHSMS	1047F
1	13	#6-32 x 3/8 SHCS	1048F
1	14	STEERING BEARING	530-032M
1	15	STEERING ARM ASSEMBLY	530-125A
1	16	STEERING SHAFT (AXLE)	650-010M
1	17	#8-32 KCPSS	1198F
1	18	CENTERING SPRING	550-230M
1	19	#4-40 x 3/16 BHCS	1022F
1	20	#4 FLAT WASHER	1102F

CHK'D BY			MFG. INC. 625 N. 12TH ST. ST. CHARLES, IL (630)584-7616
DRAWN BY	J. REHAK		
DATE	6/03	TITLE	SERIES 550 110 DEG. NOSE RETRACT ASSEMBLY ROBSTRU READY
MODEL No.	564RS		

906-206M

FACTORY REPAIR FEE= \$25.00 PLUS PARTS