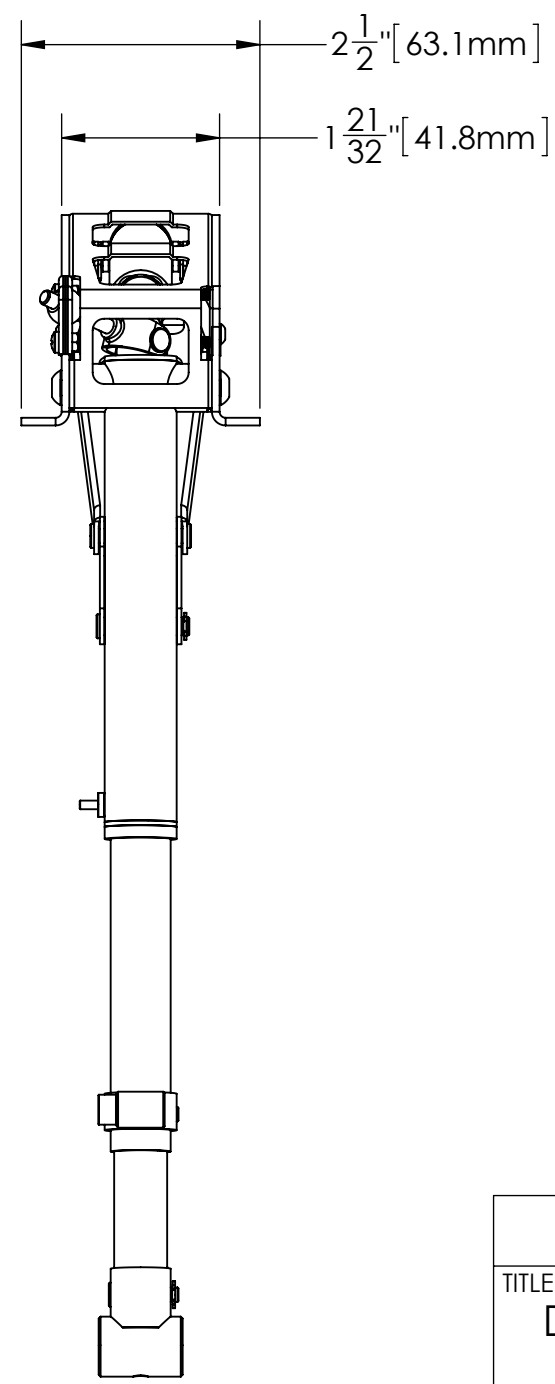
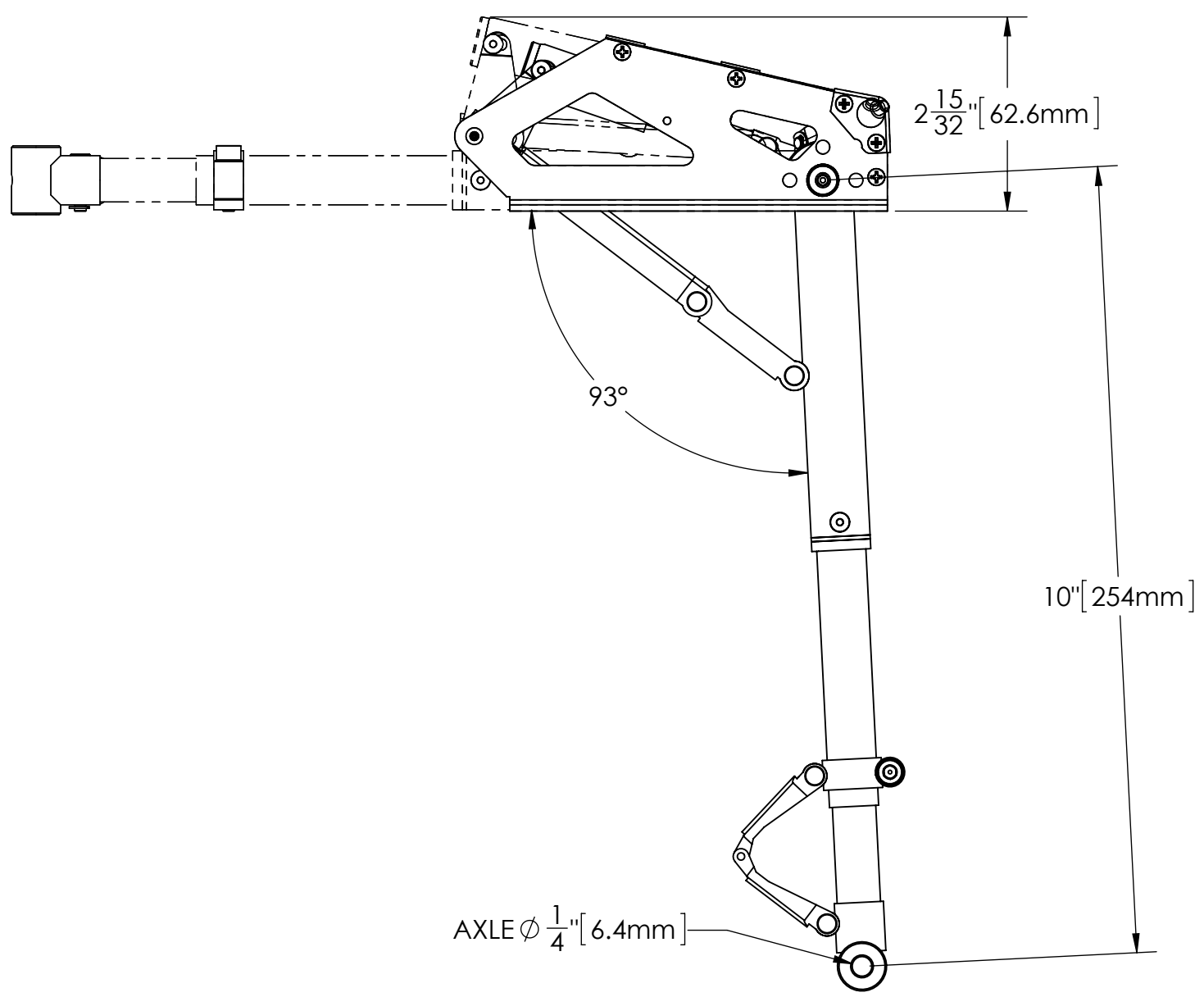
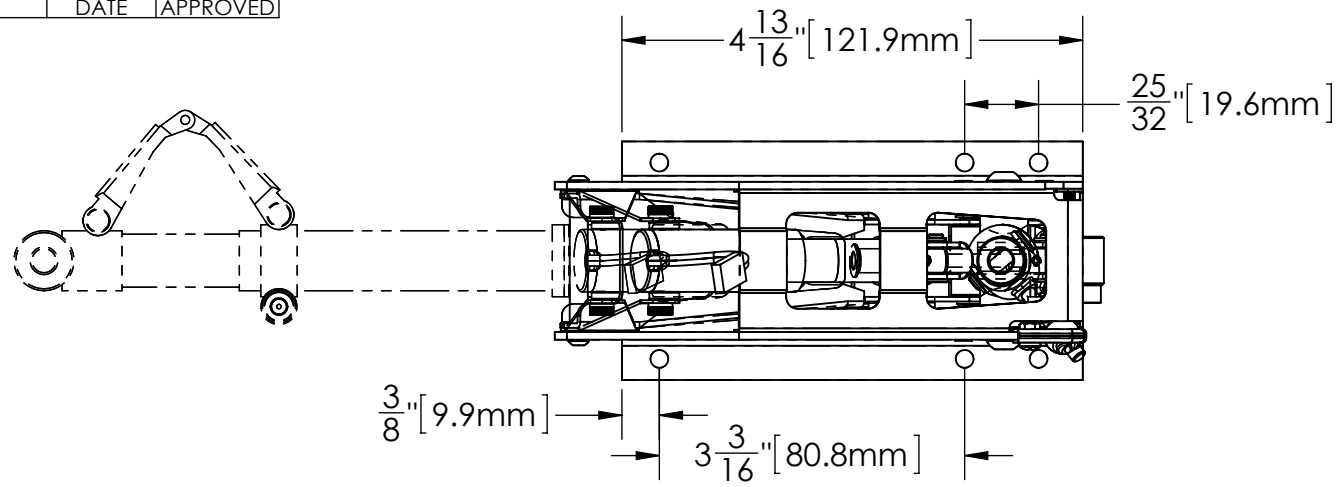


REVISIONS			
REV.	DESCRIPTION	DATE	APPROVED



UNITS:
INCH [mm]

ROBART MFG.		
TITLE: DIMENSIONAL DETAILS 150HD10 ELECTRIC MAIN GEAR		
SIZE B	DWG. NO. 150HD10E DIM	REV -
SCALE: 1:2	WEIGHT:	SHEET 1 OF 1

PROPRIETARY AND CONFIDENTIAL THE INFORMATION CONTAINED IN THIS DRAWING IS THE SOLE PROPERTY OF ROBART MANUFACTURING. ANY REPRODUCTION IN PART OR AS A WHOLE WITHOUT THE WRITTEN PERMISSION OF ROBART MANUFACTURING IS PROHIBITED.	UNLESS OTHERWISE SPECIFIED:		NAME	DATE
	DIMENSIONS ARE IN INCHES	DRAWN	N.MARC	6/1/15
	TOLERANCES:	CHECKED		
	FRACTIONAL ± 1/32	MFG APPR.		
ANGULAR: MACH ± 1° BEND ± 1°	Q.A.			
TWO PLACE DECIMAL ± 0.01				
THREE PLACE DECIMAL ± 0.005				
FOUR PLACE DECIMAL ± 0.0005				