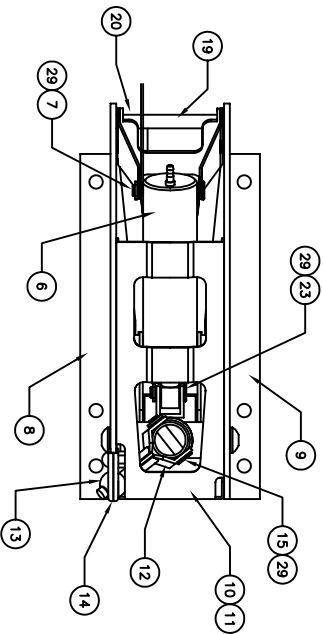
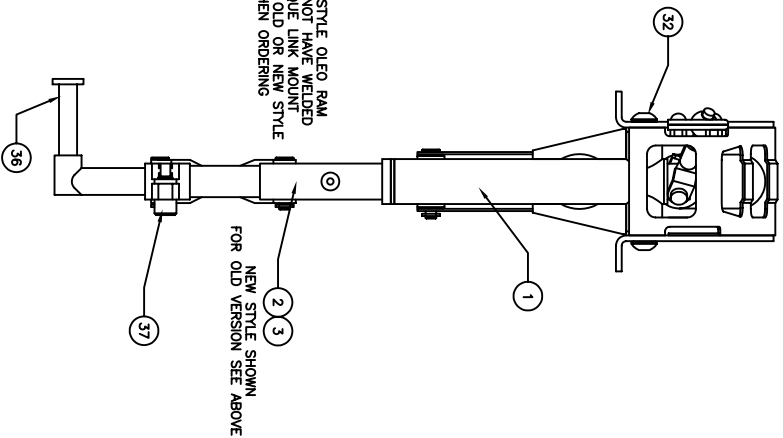
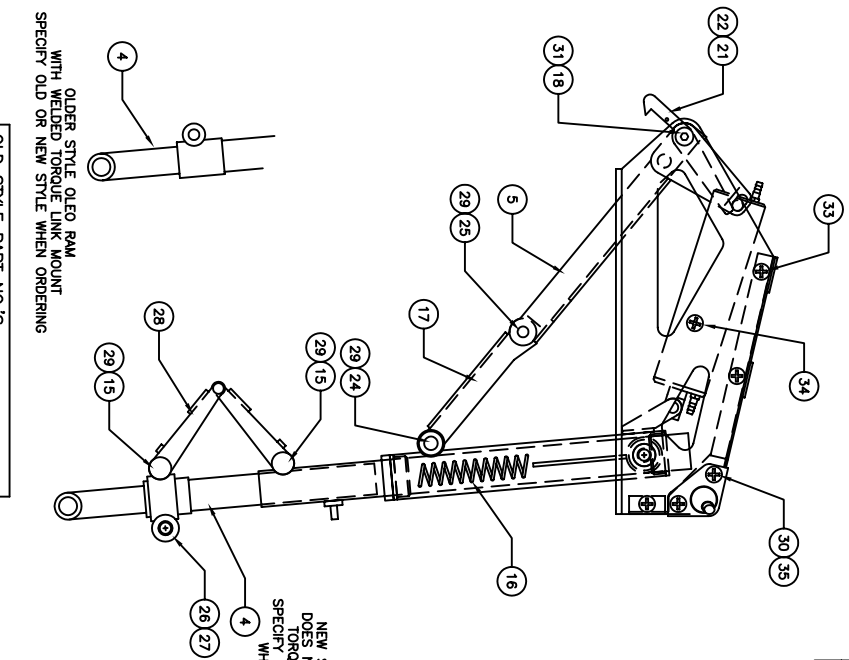
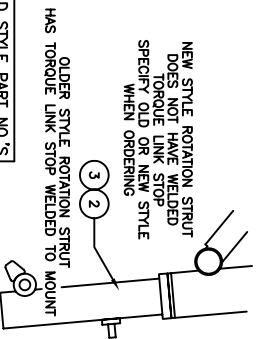


\*\* THIS IS YOUR SPARE PARTS LIST. SAVE FOR FUTURE REFERENCE, ORDER BY PART NUMBER. CURRENT PRICES WILL BE QUOTED.\*\*

NOTE: AXLE BAG ASSEMBLY 150-142A INCLUDES AXLE AND SET SCREW



OLD STYLE PART NO.'S		NEW STYLE PART NO.'S	
ROTATION STRUT RH	150-223AR	\$19.50	EACH
ROTATION STRUT LH	150-223A	\$19.50	EACH



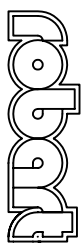
OLD STYLE PART NO.'S		NEW STYLE PART NO.'S	
OLEO RAM RH	150-224AR	\$22.50	EACH
OLEO RAM LH	150-224A	\$22.50	EACH

906-041M

FACTORY REPAIR FEE= \$25.00 PLUS PARTS

# SPARE PARTS LIST

QTY	ITEM	DESCRIPTION	ASSY/PART #
1	1	TRUNION ASSEMBLY	150-102A
1	2	ROTATING STRUT ASSEMBLY RH	150-203AR (NEW STYLE)
1	3	ROTATING STRUT ASSEMBLY LH	150-203A (NEW STYLE)
1	4	OLEO RAM ASSEMBLY	150-204A (NEW STYLE)
1	5	LIFT YOKE ASSEMBLY	150-105A
1	6	CYLINDER ASSEMBLY	150-108A
1	7	CYLINDER CLEVIS PIN	150-012M
1	8	SIDE FRAME (RH)	150-037M
1	9	SIDE FRAME (LH)	150-036M
1	10	SPACER BRACKET FOR RH GEAR	150-050M
1	11	SPACER BRACKET FOR LH GEAR	150-051M
1	12	CAM FOLLOWER	150-106A
1	13	CAM BALL	150-032M
1/1	14	CAM BALL FRAME RH/LH	150-047M RH / 150-049M LH
3	15	CAM CLEVIS PIN	150-002M
1	16	SPRING	150-019P
1	17	LIFT LINK	150-031M
1	18	LIFT YOKE PIVOT PIN	150-004M
1	19	LATCH SPACER LARGE	150-001M
1	20	LATCH SPACER SMALL	150-005M
1	21	LATCH PAWL	150-003M
1	22	LATCH SPRING	102-008M
1	23	ACTUATOR CLEVIS PIN	150-018M
1	24	LIFT LINK CLEVIS PIN	150-010M
2	25	LIFT YOKE CLEVIS PIN	150-033M
1	26	TORQUE LINK MOUNT RH	150-115A
1	27	TORQUE LINK MOUNT LH	150-116A
1	28	TORQUE LINK ASSEMBLY	150-107A
8	29	RETAINING RING	1039F
2	30	#4-40 PPHMS	1047F
2	31	#4-40 BHCS	1022F
2	32	#10-32 BHCS	1021F
8	33	#4 x 1/4 PPHMS	1026F
1	34	#6 PPHSMS	1012F
2	35	#4-40 HEX NUT	1035F
1	36	1/4" AXLE BAG	150-142A
1	37	#10-32 x 1/2" SHCS	1072F

CHK'D BY		 <p>MFG. INC. 625 N. 12TH ST. ST. CHARLES, IL (630)584-7616</p>
DRAWN BY	J. REHAK	
DATE	6-19-02	
MODEL NO.	150B/Z	
TITLE		BYRON & ZIROLI GIANT SCALE ROTATING RETRACTS