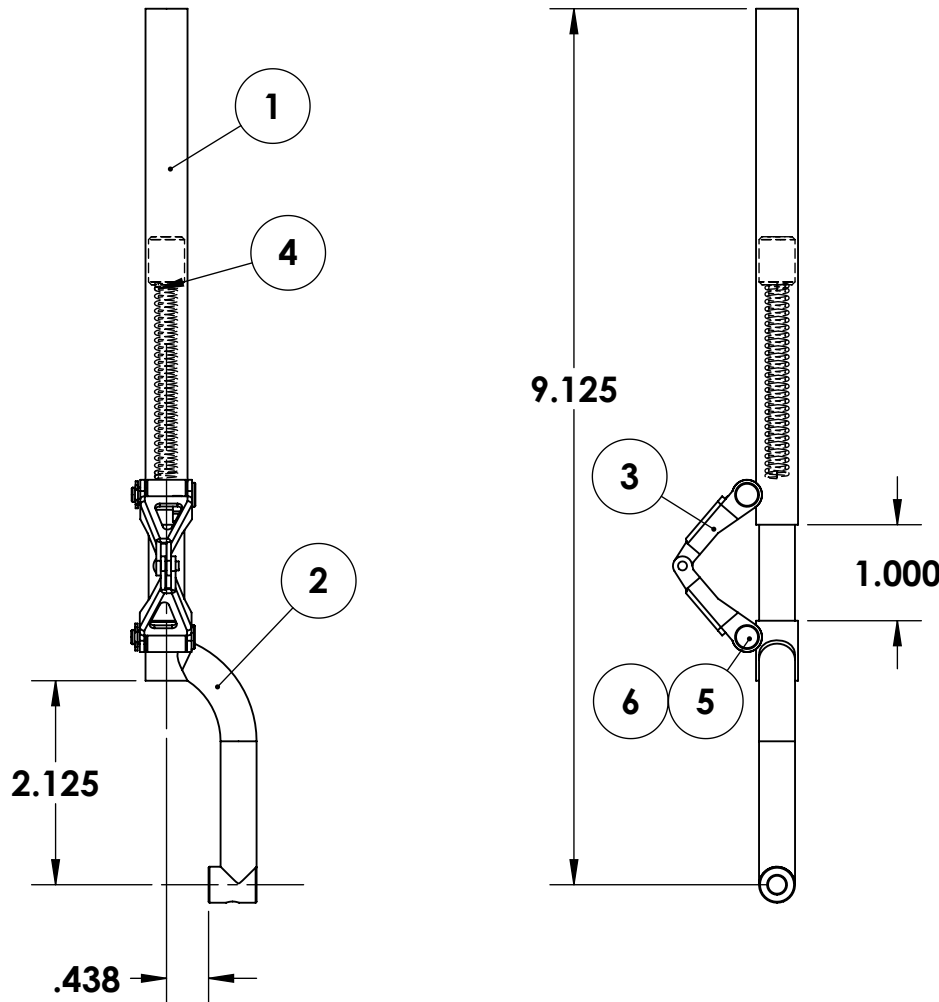


REVISIONS			
REV.	DESCRIPTION	DATE	APPROVED
D	DRAWN IN SOLIDWORKS	6/7/16	NM

BILL OF MATERIALS			
QTY.	ITEM NO.	DESCRIPTION	PART #
1	1	STRUT WELDMENT	660101A
1	2	4" OFFSET OLEO ASSEMBLY (LH)	663103A
1	3	TORQUE LINK ASSEMBLY	620112A
1	4	COMPRESSION SPRING	660006P
2	5	CLEVIS PIN	620012M
2	6	E-CLIP	1039F



4 1/2" LONG SPRING

PARTS BAG ASSEMBLY - #660015A

robart MFG. INC. 155 OSWALT AVE.
BATAVIA, IL 60510

TITLE:
**Ø 7/16" | 4" LH OFFSET
STRUT ASSEMBLY**

PROPRIETARY AND CONFIDENTIAL	UNLESS OTHERWISE SPECIFIED:	NAME	DATE	SIZE	DWG. NO.	REV	
THE INFORMATION CONTAINED IN THIS DRAWING IS THE SOLE PROPERTY OF ROBART MANUFACTURING. ANY REPRODUCTION IN PART OR AS A WHOLE WITHOUT THE WRITTEN PERMISSION OF ROBART MANUFACTURING IS PROHIBITED.	DIMENSIONS ARE IN INCHES TOLERANCES: FRACTIONAL ± 1/32 ANGULAR: MACH ± BEND ± TWO PLACE DECIMAL ±0.01 THREE PLACE DECIMAL ±0.005 FOUR PLACE DECIMAL ±0.0005	DRAWN	N.MARC	6/7/16	A	663L	D
		CHECKED					
		MFG APPR.					
		Q.A.					
				SCALE: 1:2	SHEET 1 OF 1		