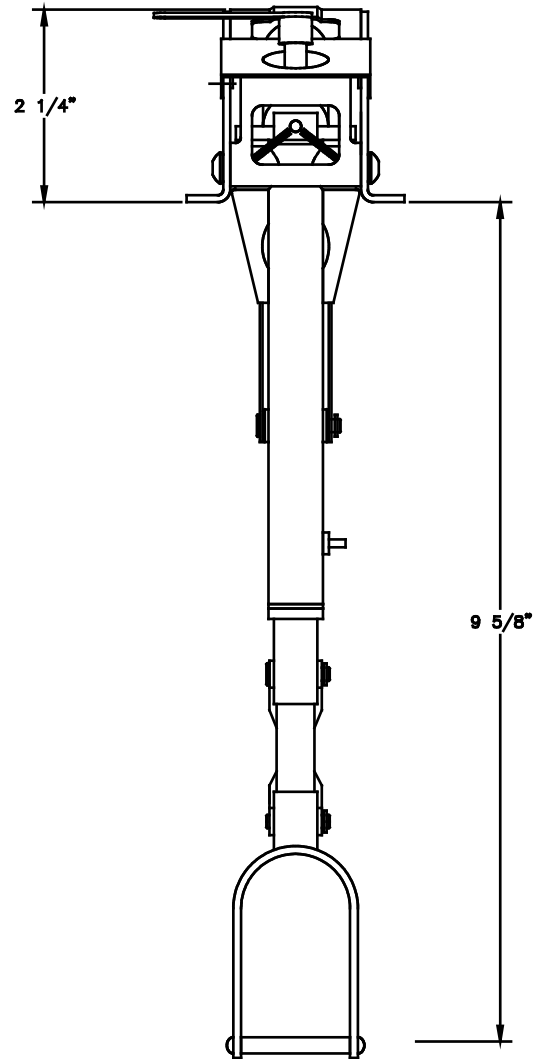
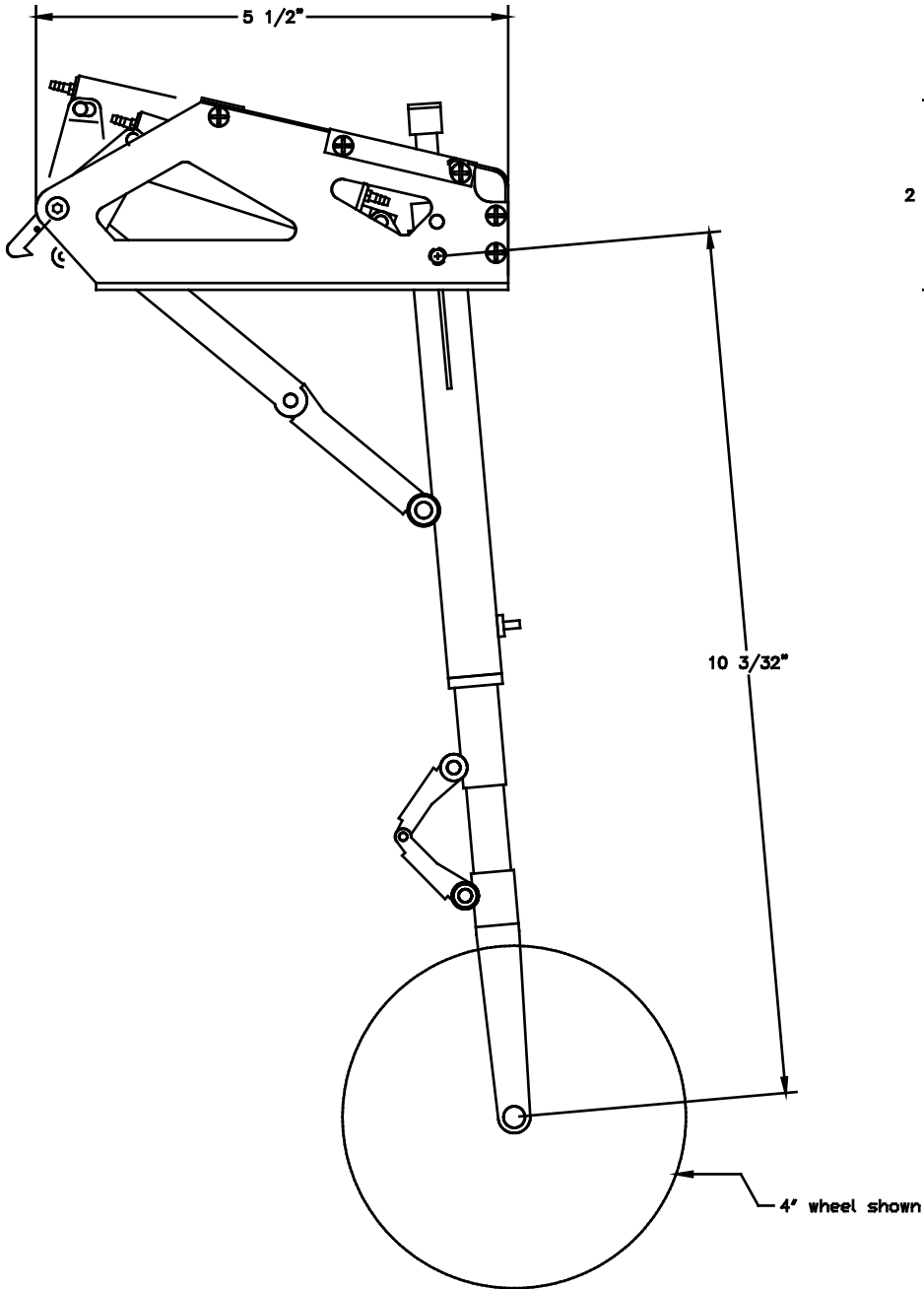
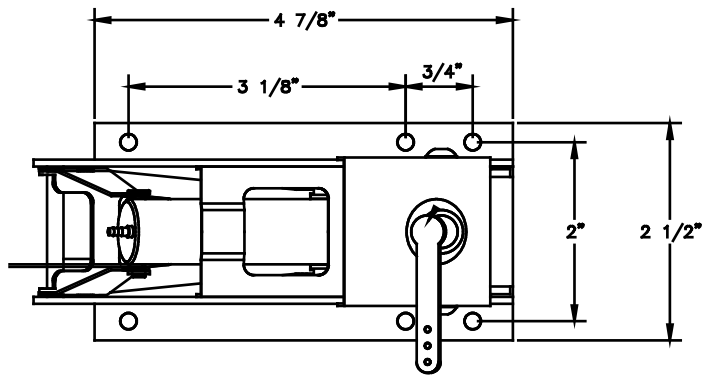


THIS DRAWING ITS CONTENTS AND INFORMATION, ARE CONFIDENTIAL, AND THE PROPERTY OF ROBART MFG., INC. IT MAY NOT BE USED, COPIED, AND / OR TRANSMITTED TO ANY PER PERSON, FIRM, OR CORPORATION WITHOUT THE PRIOR WRITTEN APPROVAL OF ROBART MFG. INC..



robart		MFG. INC 825 N. 12th ST. ST. CHARLES IL.
TITLE 100° RETRACTABLE NOSE GEAR FORKED OFFSET		
DRAWING No.	158F	REV.