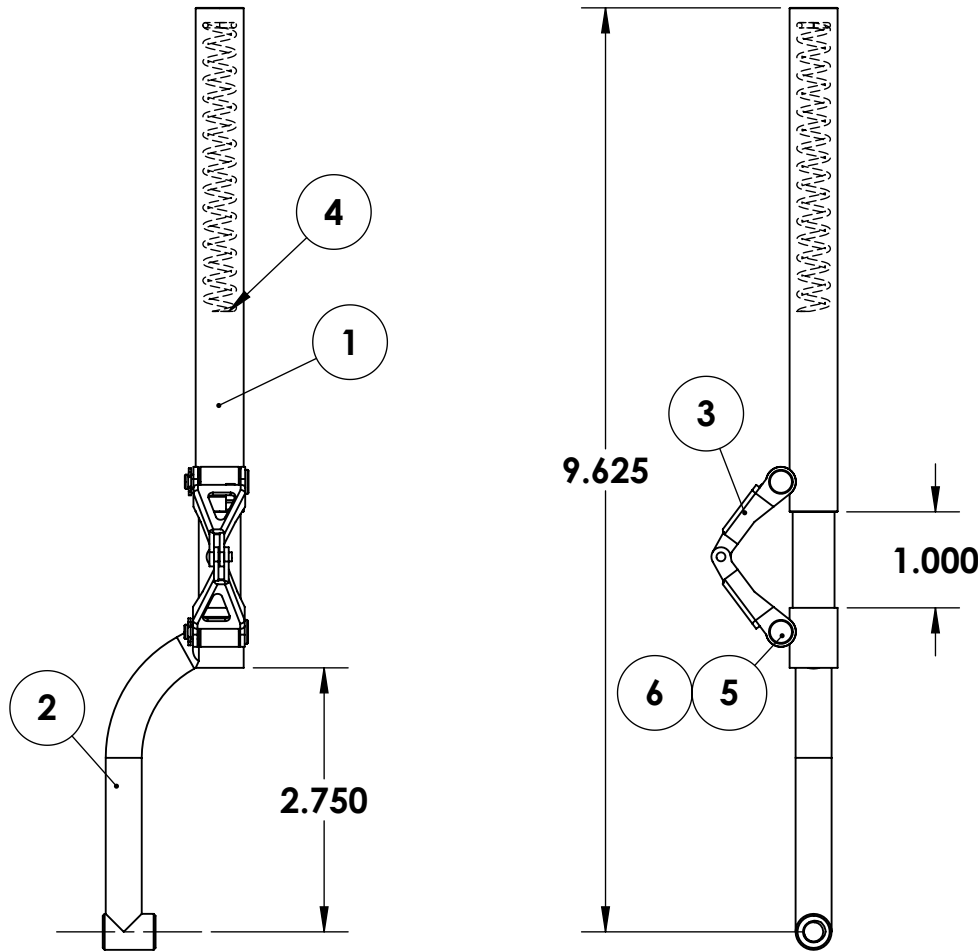


REVISIONS			
REV.	DESCRIPTION	DATE	APPROVED
B	DRAWN IN SOLIDWORKS	6/8/16	NM

BILL OF MATERIALS			
QTY.	ITEM NO.	DESCRIPTION	PART #
1	1	UPPER STRUT WELDMENT	622115A
1	2	OLEO RAM WELDMENT - LH	622315A
1	3	TORQUE LINK ASSEMBLY	620112A
1	4	COMPRESSION SPRING	150019P
2	5	CLEVIS PIN	620012M
2	6	E-CLIP	1039F

8" LONG SPRING



AXLE BAG ASSEMBLY - #671142A



MFG. INC. 155 OSWALT AVE.  
BATAVIA, IL 60510

TITLE:

$\phi$  1/2" OFFSET  
STRUT ASSEMBLY (RH)

PROPRIETARY AND CONFIDENTIAL	UNLESS OTHERWISE SPECIFIED:	NAME	DATE	SIZE	DWG. NO.	REV	
THE INFORMATION CONTAINED IN THIS DRAWING IS THE SOLE PROPERTY OF ROBERT MANUFACTURING. ANY REPRODUCTION IN PART OR AS A WHOLE WITHOUT THE WRITTEN PERMISSION OF ROBERT MANUFACTURING IS PROHIBITED.	DIMENSIONS ARE IN INCHES TOLERANCES: FRACTIONAL $\pm$ 1/32 ANGULAR: MACH $\pm$ BEND $\pm$ TWO PLACE DECIMAL $\pm$ 0.01 THREE PLACE DECIMAL $\pm$ 0.005 FOUR PLACE DECIMAL $\pm$ 0.0005	DRAWN	N.MARC	6/8/16	<b>A</b>	<b>673R</b>	<b>B</b>
		CHECKED					
		MFG APPR.					
		Q.A.					
				SCALE: 1:2	SHEET 1 OF 1		

5

4

3

2

1