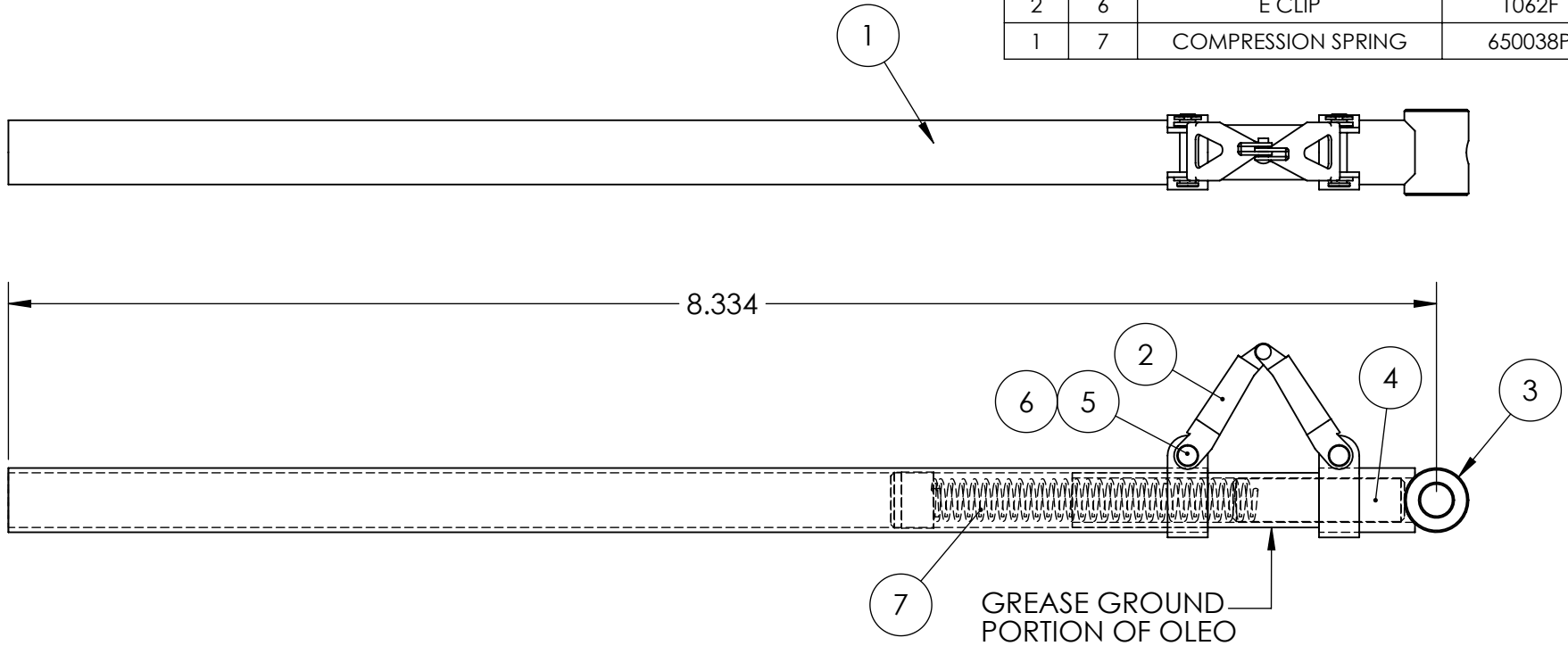


REVISIONS			
REV.	DESCRIPTION	DATE	APPROVED
-	PRODUCTION RELEASE	25MAY12	JR

BILL OF MATERIAL			
QTY.	ITEM NO.	DESCRIPTION	PART NUMBER
1	1	UPPER STRUT WELDMENT	650021A
1	2	TORQUE LINK ASSEMBLY	650003A
1	3	OLEO RAM WELDMENT	650002A
1	4	ALUMINUM PLUG	650004M
2	5	CLEVIS PIN	650014M
2	6	E CLIP	1062F
1	7	COMPRESSION SPRING	650038P



PARTS BAG - #650015A

ROBART MFG			
TITLE:			
\varnothing 3/8" ROBOSTRUT STRAIGHT ASSEMBLY			
SIZE	DWG. NO.	REV	
A	650XL	-	
SCALE: 1:1		SHEET 1 OF 1	

PROPRIETARY AND CONFIDENTIAL	UNLESS OTHERWISE SPECIFIED: DIMENSIONS ARE IN INCHES TOLERANCES: FRACTIONAL \pm 1/32 ANGULAR: MACH \pm BEND \pm TWO PLACE DECIMAL \pm 0.01 THREE PLACE DECIMAL \pm 0.005 FOUR PLACE DECIMAL \pm 0.0005	NAME	DATE
		DRAWN	J.REHAK 25MAY12
		CHECKED	
		MFG APPR.	
		Q.A.	