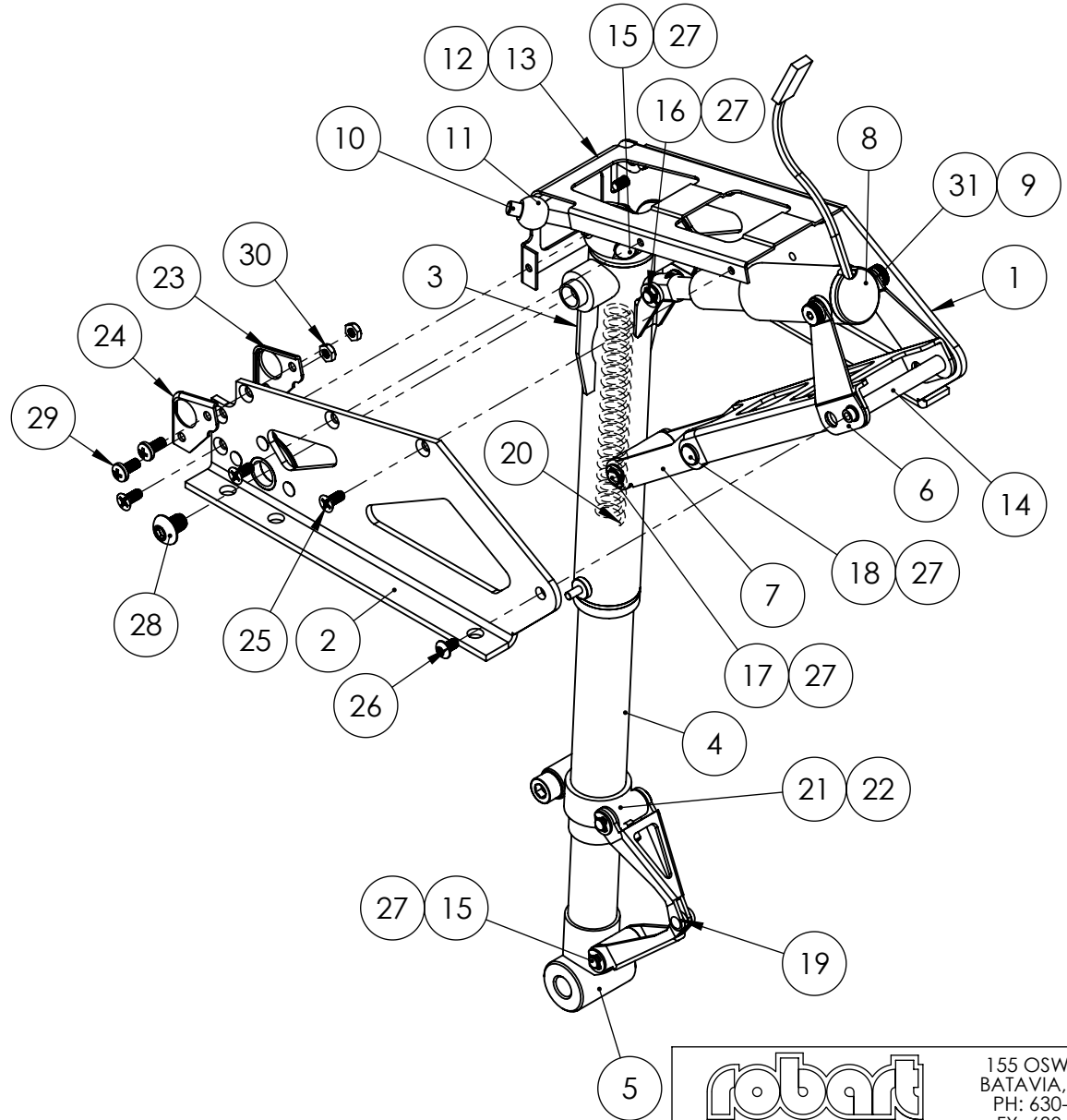


SPARE PARTS LIST

QTY.	ITEM NO.	DESCRIPTION	PART #
1	1	SIDE FRAME ASSEMBLY (RH)	150507A
1	2	SIDE FRAME ASSEMBLY (LH)	150508A
1	3	TRUNION ASSEMBLY	150504A
1	4	150HD10 ROTATION STRUT	150572A
1	5	OLEO RAM WELDMENT	151106A
1	6	LIFT YOKE ASSEMBLY	150105A
1	7	LOWER LIFT LINK - 90 DEG	150028M
1	8	150E SERIES ACTUATOR	150E108A
2	9	ACTUATOR SPACER	148E009M
1	10	CAM FOLLOWER	150106A
1	11	CAM BALL	150032M
1	12	SPACER BRACKET-RH	150050M
1	13	SPACER BRACKET-LH	150051M
1	14	LIFT YOKE PIVOT PIN	150004M
3	15	CLEVIS PIN	150002M
1	16	CLEVIS PIN	150018M
1	17	CLEVIS PIN	150010M
2	18	CLEVIS PIN	150033M
1	19	TORQUE LINK ASSEMBLY	150107A
1	20	COMPRESSION SPRING	151019P
1	21	ADJ. TORQUE LINK MOUNT-RH	150112A
1	22	ADJ. TORQUE LINK MOUNT-LH	150113A
1	23	CAM FRAME - RH	150047M
1	24	CAM FRAME - LH	150049M
8	25	#4 X 1/4 PFHMS	1026F
2	26	#4-40 x 3/16" BHSMS	1022F
7	27	E-CLIP	1039F
2	28	#10-32 X 1/4 BHCS	1021F
2	29	#4-40 X 1/4" BHMS	1047F
2	30	#4-40 HEX NUT	1035F
2	31	#4-40 SHOULDER BOLT	1201F



AXLE BAG ASSEMBLY - #145142A



155 OSWALT AVE.
BATAVIA, IL. 60510
PH: 630-584-7616
FX: 630-584-3712

TITLE:

**150HD 10" ELECTRIC
SPARE PARTS LIST**

906-524M

PROPRIETARY AND CONFIDENTIAL

THE INFORMATION CONTAINED IN THIS DRAWING IS THE SOLE PROPERTY OF ROBART MANUFACTURING. ANY REPRODUCTION IN PART OR AS A WHOLE WITHOUT THE WRITTEN PERMISSION OF ROBART MANUFACTURING IS PROHIBITED.

	NAME	DATE
DRAWN	N.MARC	5/29/15
CHECKED		

150HD10ESPM REV -