

### SPARE PARTS LIST

QTY.	ITEM NO.	DESCRIPTION	PART NUMBER
1	1	TRUNION PIN	510026M
1	2	FRAME SPACER	530021M
4	3	#4-40 X 1/4" BHMS	1047F
2	4	RETAINING RING	1125F
1	5	90° RAIL MOUNT FRAME	510001M
1	6	MAIN GEAR TRUNION	550001M
1	7	ELECTRIC ACTUATOR	550E108A
2	8	10SC004009	550004M
2	9	#8-32 X 3/16" SET SCREW	1198F
1	10	CAM PIN	630012M
1	11	WIRE STRUT HD - RH	EF001M
1	12	WIRE STRUT HD - LH	EF002M
1	13	ADAPTER BUSHING	530043M
2	14	#8-32 x 1/8" SET SCREW	1142F

906-433M

**PROPRIETARY AND CONFIDENTIAL**  
 THE INFORMATION CONTAINED IN THIS DRAWING IS THE SOLE PROPERTY OF ROBART MANUFACTURING. ANY REPRODUCTION IN PART OR AS A WHOLE WITHOUT THE WRITTEN PERMISSION OF ROBART MANUFACTURING IS PROHIBITED.

	NAME	DATE
DRAWN	J.REHAK	15JUL13
CHECKED		

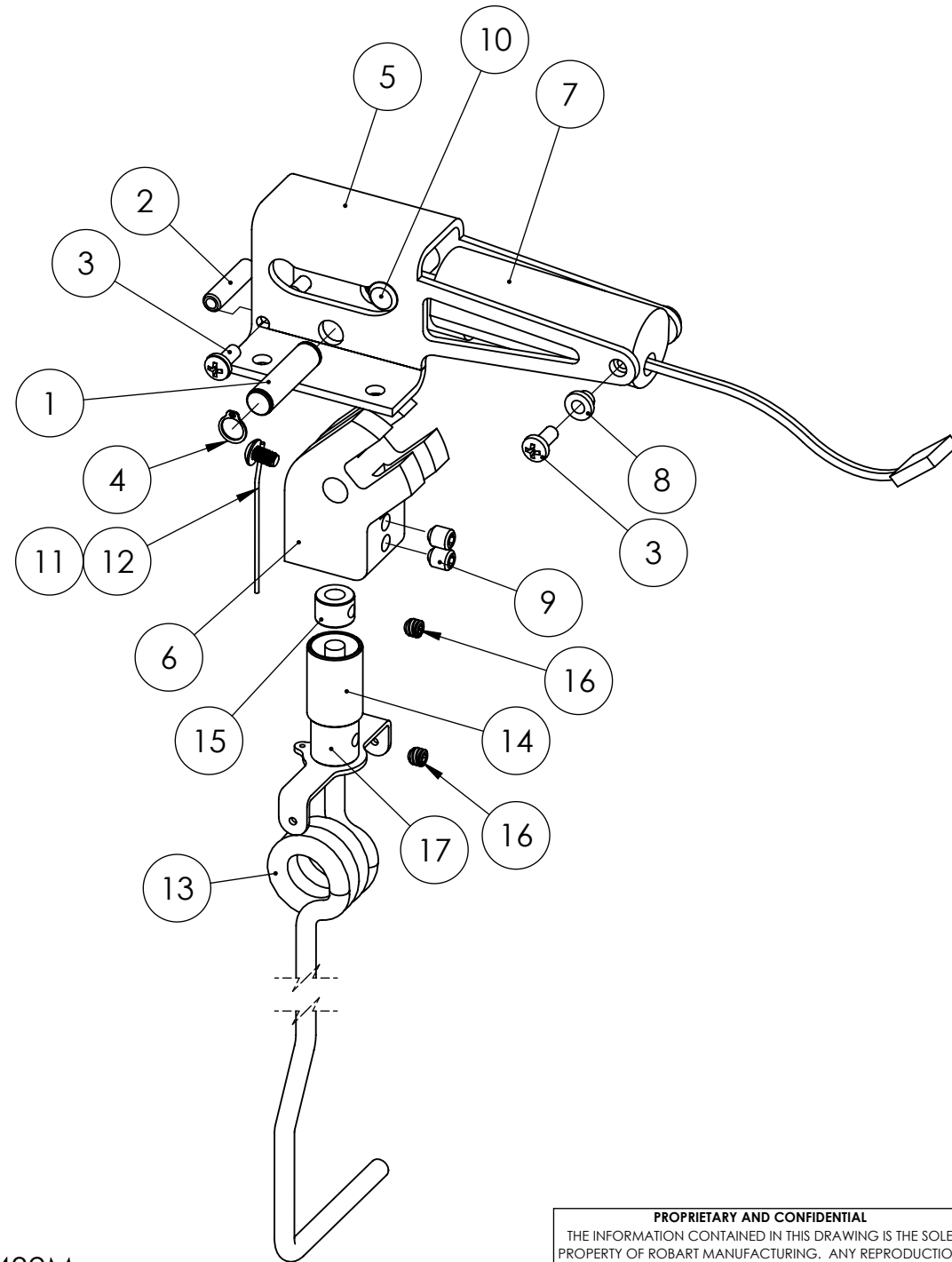


155 OSWALT AVE.  
 BATAVIA, IL. 60510  
 PH: 630-584-7616  
 FX: 630-584-3712

TITLE:  
**90° ELECTRIC MAIN RETRACT  
 SPARE PARTS LIST  
 520DEUCE-E**

**DWESPM**

REV -



### SPARE PARTS LIST

QTY.	ITEM NO.	DESCRIPTION	PART NUMBER
1	1	TRUNION PIN	510026M
1	2	FRAME SPACER	530021M
4	3	#4-40 X 1/4" BHMS	1047F
2	4	RETAINING RING	1125F
1	5	90° RAIL MOUNT FRAME	510001M
1	6	MAIN GEAR TRUNION	550001M
1	7	ELECTRIC ACTUATOR	550E108A
2	8	10SC004009	550004M
2	9	#8-32 X 3/16" SET SCREW	1198F
1	10	CAM PIN	630012M
1	11	#4-40 x 3/16" BHMS	1022F
1	12	CENTERING SPRING	550230M
1	13	NOSE GEAR WIRE	EF003M
1	14	STEERING BEARING	510032M
1	15	5/32 LOCKING COLLAR	102005M
2	16	SET SCREW 6-32 X 1/8"	1060F
1	17	5/32" STEERING ARM	590101A

906-432M

**PROPRIETARY AND CONFIDENTIAL**  
 THE INFORMATION CONTAINED IN THIS DRAWING IS THE SOLE PROPERTY OF ROBART MANUFACTURING. ANY REPRODUCTION IN PART OR AS A WHOLE WITHOUT THE WRITTEN PERMISSION OF ROBART MANUFACTURING IS PROHIBITED.

	NAME	DATE
DRAWN	J.REHAK	15JUL13
CHECKED		



155 OSWALT AVE.  
 BATAVIA, IL. 60510  
 PH: 630-584-7616  
 FX: 630-584-3712

TITLE:  
**90° ELECTRIC NOSE RETRACT  
 SPARE PARTS LIST  
 520DEUCE-E**

**DWESPN**

REV -