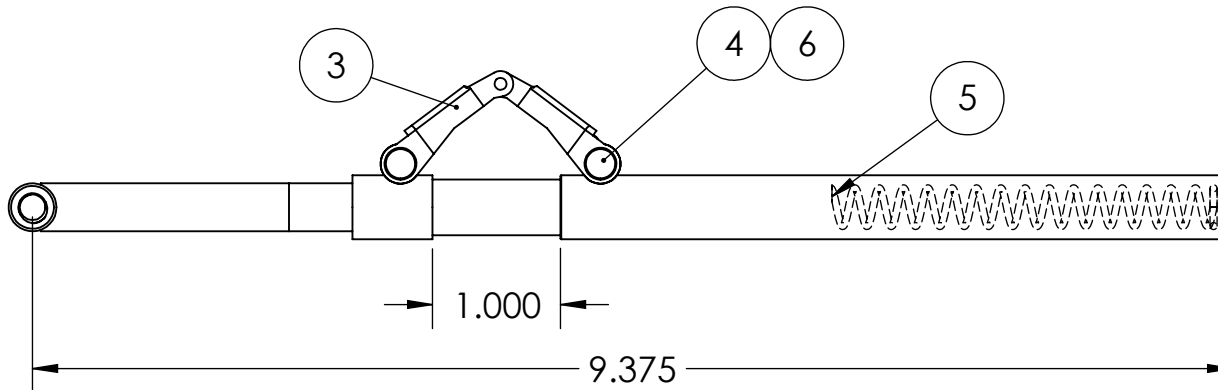
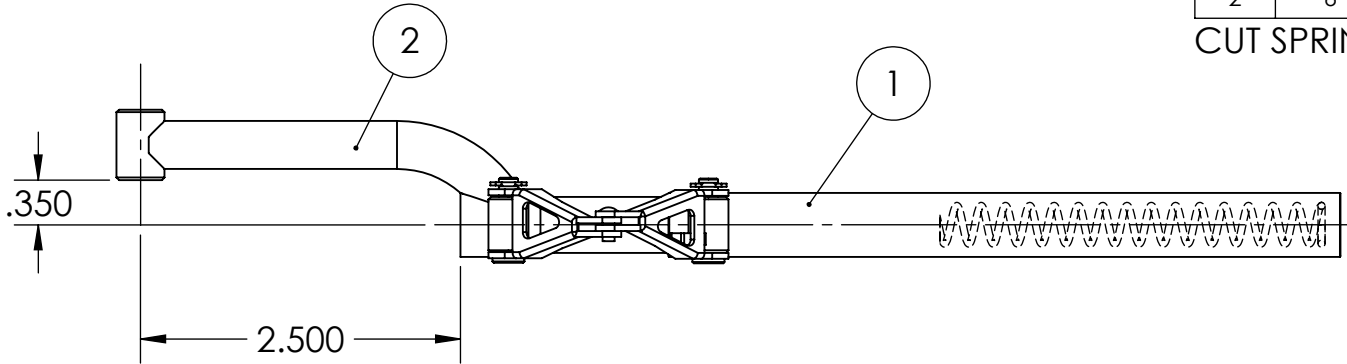


REVISIONS			
REV.	DESCRIPTION	DATE	APPROVED
A	DRAWN IN SOLIDWORKS	2/2/16	NM

BILL OF MATERIALS			
QTY.	ITEM NO.	DESCRIPTION	PART #
1	1	UPPER STRUT WELDMENT	622115A
1	2	OLEO WELDMENT - RH	622214A
1	3	TORQUE LINK ASSEMBLY	620112A
2	4	CLEVIS PIN	620012M
1	5	COMPRESSION SPRING	150019P
2	6	E-CLIP	1039F

CUT SPRING TO 8"



AXLE BAG ASSEMBLY - #671142A

robart MFG. INC. 155 OSWALT AVE.
BATAVIA, IL 60510

TITLE:

Ø 1/2" OFFSET
STRUT ASSEMBLY (RH)

PROPRIETARY AND CONFIDENTIAL	UNLESS OTHERWISE SPECIFIED:	NAME	DATE
THE INFORMATION CONTAINED IN THIS DRAWING IS THE SOLE PROPERTY OF ROBART MANUFACTURING. ANY REPRODUCTION IN PART OR AS A WHOLE WITHOUT THE WRITTEN PERMISSION OF ROBART MANUFACTURING IS PROHIBITED.	DIMENSIONS ARE IN INCHES	DRAWN	2/2/2016
	TOLERANCES:	CHECKED	
	FRACTIONAL ± 1/32	MFG APPR.	
	ANGULAR: MACH ± BEND ±	Q.A.	
	TWO PLACE DECIMAL ±0.01		
	THREE PLACE DECIMAL ±0.005		
	FOUR PLACE DECIMAL ±0.0005		

SIZE	DWG. NO.	REV
A	672R	A
SCALE: 2:3		SHEET 1 OF 1