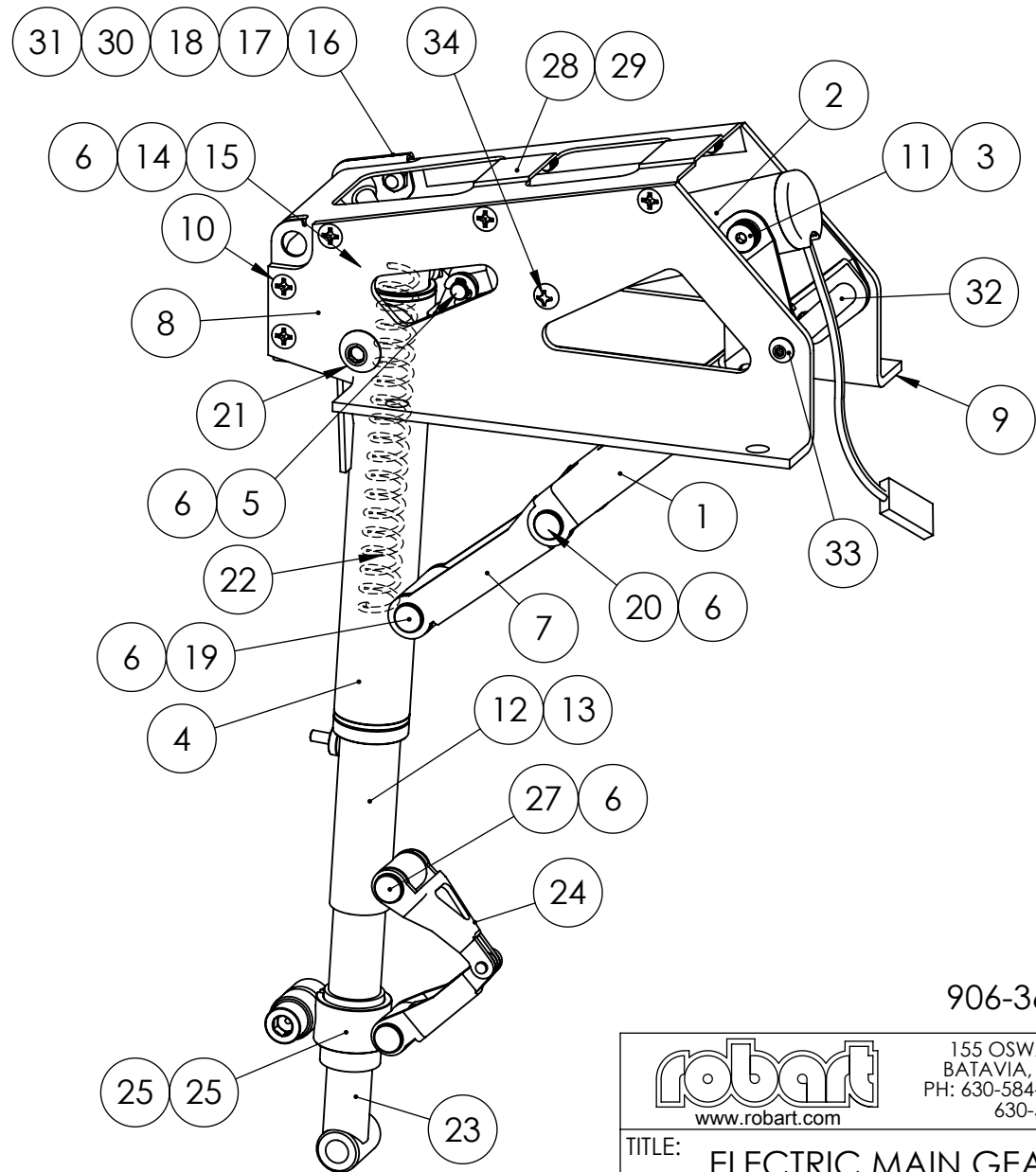


## SPARE PARTS LIST

QTY.	ITEM NO.	DESCRIPTION	PART #
1	1	LIFT LINK ASSEMBLY	148105A
1	2	ASSEMBLED ACTUATOR	148E108A
2	3	ACTUATOR SPACER	148E009M
1	4	TRUNION ASSEMBLY	148112A
1	5	CLEVIS PIN	150018M
7	6	E-CLIP	1039F
1	7	LOWER LIFT LINK	148028M
1	8	SIDE PLATE (LH)	148036M
1	9	SIDE PLATE (RH)	148037M
8	10	#4 X 1/4 PFHMS	1026F
2	11	#4-40 SHOULDER BOLT	1201F
1	12	ROTATION STRUT (RH)	148103A
1	13	ROTATION STRUT (LH)	148104A
1	14	CAM FOLLOWER	148102A
1	15	CLEVIS PIN	150002M
1	16	CAM FRAME - RH	150047M
1	17	CAM FRAME - LH	150049M
1	18	CAM BALL	150032M
1	19	CLEVIS PIN	150010M
2	20	CLEVIS PIN	150033M
2	21	#10-32 BHCS	1021F
1	22	COMPRESSION SPRING	150019P
1	23	OLEO RAM WELDMENT	148106A
1	24	TORQUE LINK ASSEMBLY	620112A
1	25	ADJ. TORQUE LINK MOUNT - RH	148110A
1	26	ADJ. TORQUE LINK MOUNT - LH	148111A
2	27	CLEVIS PIN	620012M
1	28	SPACER BRACKET - RH	150051M
	29	SPACER BRACKET - LH	150050M
2	30	#4-40 X 1/4" BHMS	1047F
2	31	#4-40 HEX NUT	1035F
1	32	LIFT YOKE PIVOT PIN	150004M
2	33	#4-40 x 3/16" BHSMS	1022F
1	34	#4 X 3/8 PPHSMS	1012F

AXLE BAG: 150142A (1)



906-367M



155 OSWALT AVE.  
BATAVIA, IL. 60510  
PH: 630-584-7616 FX:  
630-584-3712

TITLE: **ELECTRIC MAIN GEAR  
SPARE PARTS LIST  
(RH SHOWN)**

**PROPRIETARY AND CONFIDENTIAL**  
THE INFORMATION CONTAINED IN THIS DRAWING IS THE SOLE PROPERTY OF ROBART MANUFACTURING. ANY REPRODUCTION IN PART OR AS A WHOLE WITHOUT THE WRITTEN PERMISSION OF ROBART MANUFACTURING IS PROHIBITED.

	NAME	DATE
DRAWN	J.REHAK	23OCT12
CHECKED		

**148ESP**

REV -