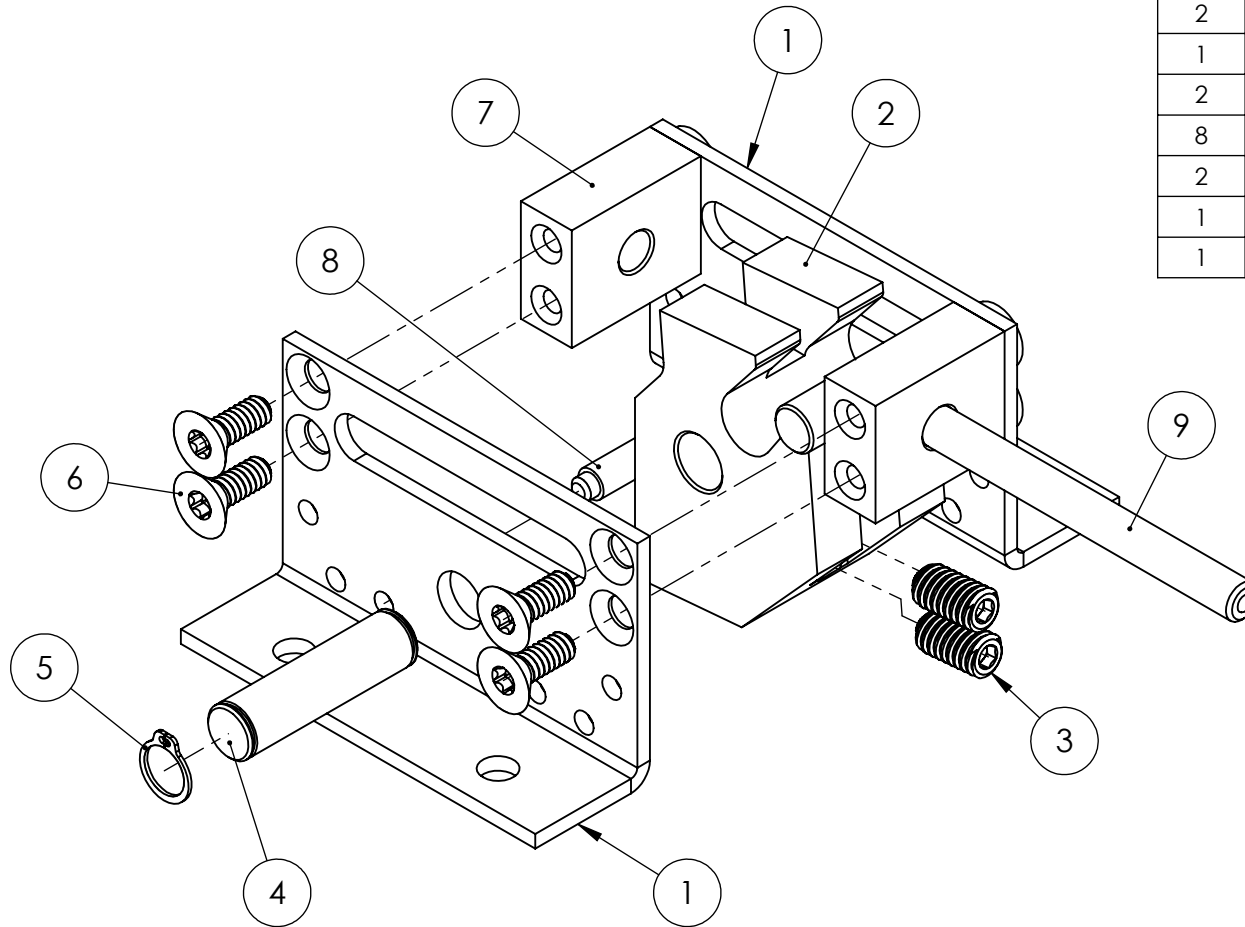


SPARE PARTS LIST

QTY.	ITEM NO.	DESCRIPTION	PART NUMBER
2	1	SIDE FRAME	590001M
1	2	85° TRUNION - 3/8" BORE	590013M
2	3	SET SCREW 8-32, 5/16"	1148F
1	4	PIVOT PIN	590014M
2	5	RETAINING RING	1125F
8	6	4-40 X 5/16 TORX FMS ZINC	1065F
2	7	SPACER BLOCK	590008M
1	8	TRUNION STOP	590010M
1	9	PUSH ROD ASSEMBLY	590100A



155 OSWALT AVE.
 BATAVIA, IL. 60510
 PH: 630-584-7616 FX:
 630-584-3712

TITLE:

85° MAIN GEAR ASSEMBLY
 3/8" ROBOSTRUT READY
 590 PROGRESSIVE SERIES

PROPRIETARY AND CONFIDENTIAL
 THE INFORMATION CONTAINED IN THIS DRAWING IS THE SOLE
 PROPERTY OF ROBERT MANUFACTURING. ANY REPRODUCTION
 IN PART OR AS A WHOLE WITHOUT THE WRITTEN PERMISSION OF
 ROBERT MANUFACTURING IS PROHIBITED.

	NAME	DATE
DRAWN	J.REHAK	
CHECKED		

592MSP

REV -

906-346M