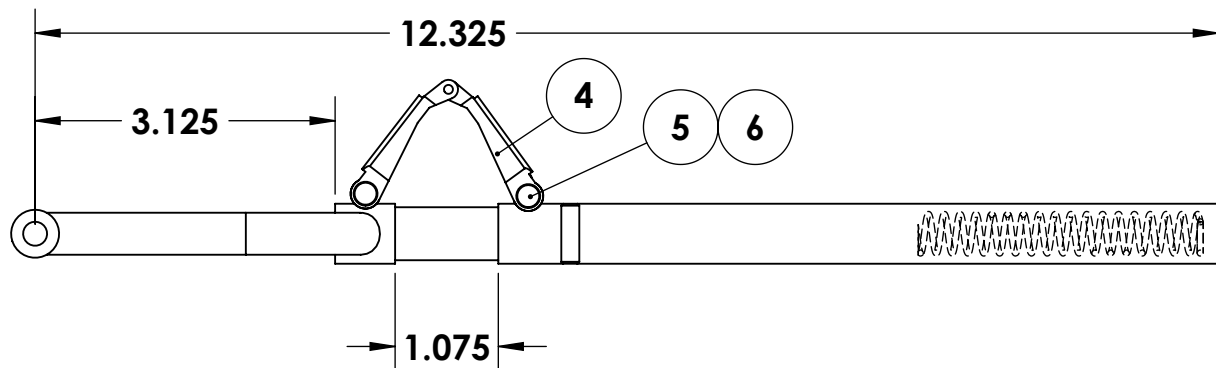
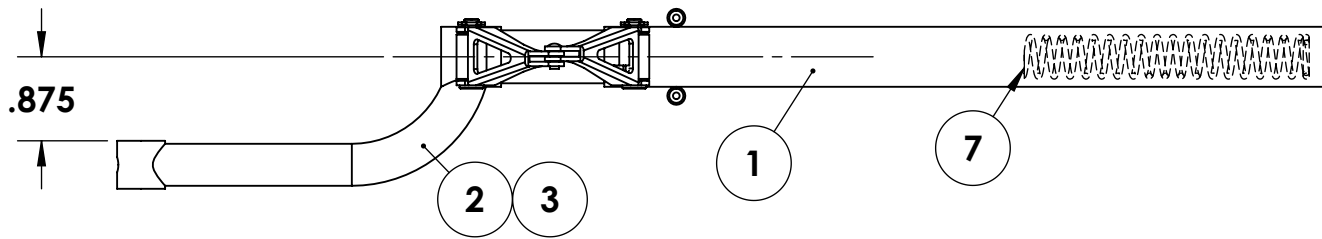


REVISIONS			
REV.	DESCRIPTION	DATE	APPROVED
G	DRAWN IN SOLIDWORKS	8/16/16	NM

BILL OF MATERIALS			
QTY.	ITEM NO.	DESCRIPTION	PART #
1	1	UPPER STRUT WELDMENT	145223A
1	2	OLEO RAM WELDMENT-LH	145224A
1	3	OLEO RAM WELDMENT-RH	145225A
1	4	TORQUE LINK ASSEMBLY	150107A
2	5	CLEVIS PIN	150002M
2	6	E-CLIP	1039F
1	7	COMPRESSION SPRING	151019P



AXLE BAG ASSEMBLY - #680142A

robart MFG. INC. 155 OSWALT AVE.
BATAVIA, IL 60510

TITLE:
 \varnothing **5/8" RH/LH**
P51 STRUT ASSEMBLY

SAME AS 145205A/145206A

PROPRIETARY AND CONFIDENTIAL	UNLESS OTHERWISE SPECIFIED:	NAME	DATE
THE INFORMATION CONTAINED IN THIS DRAWING IS THE SOLE PROPERTY OF ROBERT MANUFACTURING. ANY REPRODUCTION IN PART OR AS A WHOLE WITHOUT THE WRITTEN PERMISSION OF ROBERT MANUFACTURING IS PROHIBITED.	DIMENSIONS ARE IN INCHES TOLERANCES: FRACTIONAL \pm 1/32 ANGULAR: MACH \pm BEND \pm TWO PLACE DECIMAL \pm 0.01 THREE PLACE DECIMAL \pm 0.005 FOUR PLACE DECIMAL \pm 0.0005	DRAWN	N.MARC 8/16/16
		CHECKED	
		MFG APPR.	
		Q.A.	

SIZE	DWG. NO.	REV
A	682R 682L	G
SCALE: 1:2		SHEET 1 OF 1