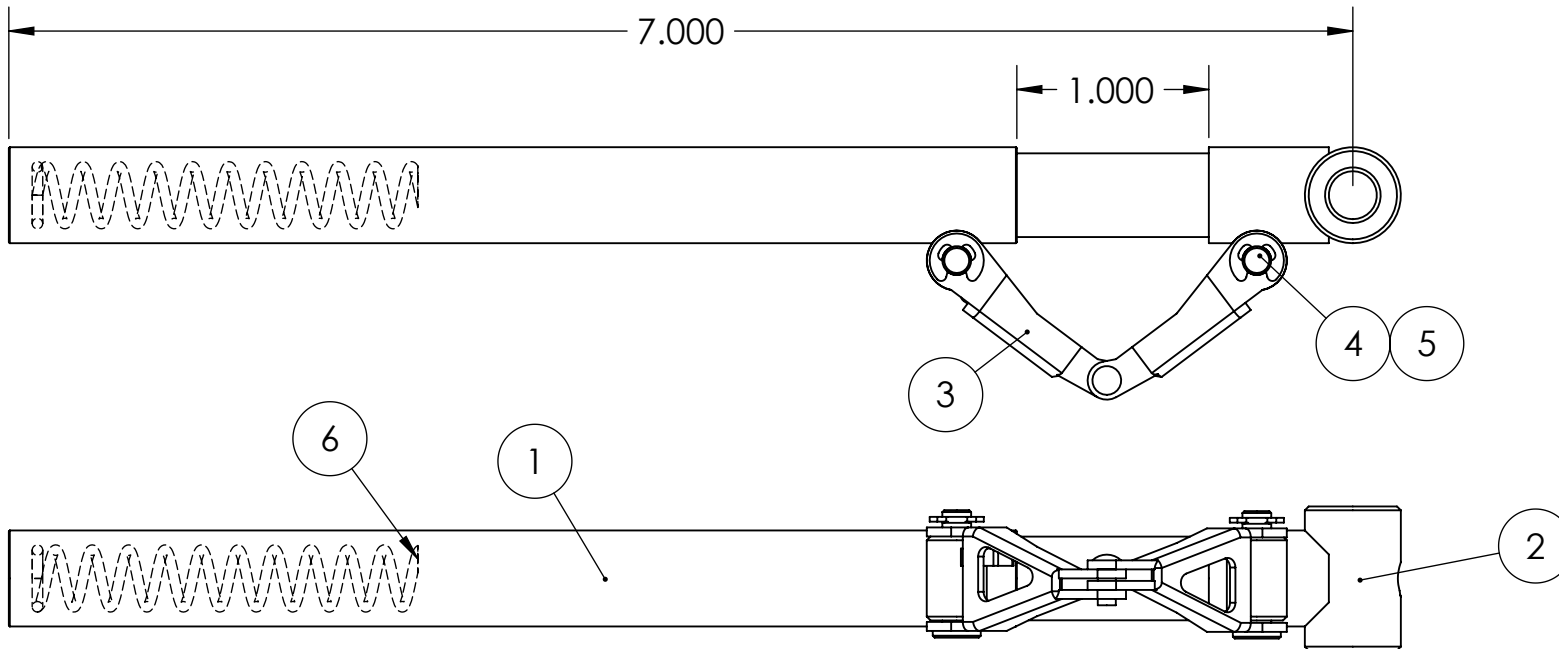


REVISIONS			
REV.	DESCRIPTION	DATE	APPROVED
A	DRAWN IN SOLIDWORKS	11/20/15	NM

BILL OF MATERIALS			
QTY.	ITEM NO.	DESCRIPTION	PART #
1	1	UPPER STRUT WELDMENT	622115A
1	2	OLEO RAM WELDMENT	622125A
1	3	TORQUE LINK ASSEMBLY	620112A
2	4	CLEVIS PIN	620012M
2	5	E-CLIP	1039F
1	6	COMPRESSION SPRING	150019P

USE 8" SPRING



AXLE BAG ASSEMBLY - #670142A

robart MFG. INC. 155 OSWALT AVE.
BATAVIA, IL 60510

TITLE:
Ø1/2" STRAIGHT STRUT ASSEMBLY

PROPRIETARY AND CONFIDENTIAL THE INFORMATION CONTAINED IN THIS DRAWING IS THE SOLE PROPERTY OF ROBART MANUFACTURING. ANY REPRODUCTION IN PART OR AS A WHOLE WITHOUT THE WRITTEN PERMISSION OF ROBART MANUFACTURING IS PROHIBITED.	UNLESS OTHERWISE SPECIFIED:	NAME	DATE
	DIMENSIONS ARE IN INCHES	N.MARC	11/20/15
	TOLERANCES:		
	FRACTIONAL ± 1/32		
	ANGULAR: MACH ± BEND ±		
TWO PLACE DECIMAL ±0.01			
THREE PLACE DECIMAL ±0.005			
FOUR PLACE DECIMAL ±0.0005			
	Q.A.		

SIZE	DWG. NO.	REV
A	670	A
SCALE: 1:1	SHEET 1 OF 1	