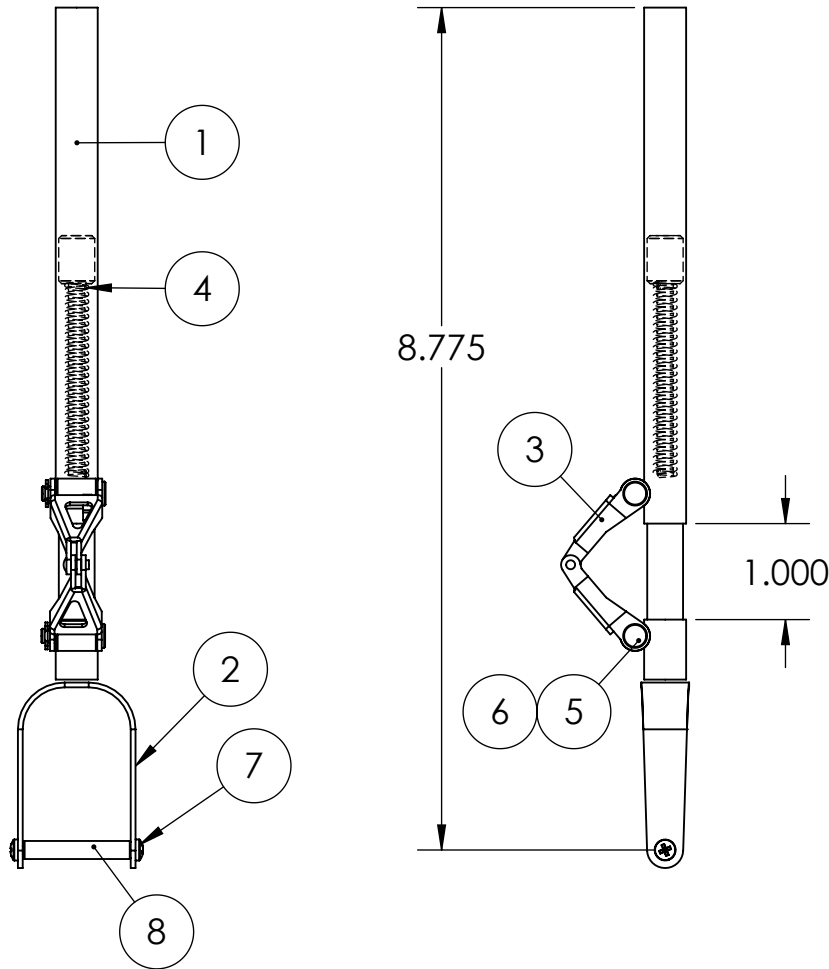


REVISIONS			
REV.	DESCRIPTION	DATE	APPROVED
B	DRAWN IN SOLIDWORKS	6/7/16	NM
C	SPRING LENGTH WAS 4 3/4"	11/10/16	NM

BILL OF MATERIALS			
QTY.	ITEM NO.	DESCRIPTION	PART #
1	1	STRUT WELDMENT	660101A
1	2	OLEO RAM WELDMENT	664102A
1	3	TORQUE LINK ASSEMBLY	620112A
1	4	COMPRESSION SPRING	660006P
2	5	CLEVIS PIN	620012M
2	6	E-CLIP	1039F
2	7	#4-40 X 1/4" BHMS	1047F
1	8	AXLE	664002M



4 1/2" LONG SPRING

PARTS BAG ASSEMBLY - #664015A



MFG. INC. 155 OSWALT AVE.
BATAVIA, IL 60510

TITLE:

∅ 7/16" STRAIGHT
STRUT YOKE ASSEMBLY

PROPRIETARY AND CONFIDENTIAL THE INFORMATION CONTAINED IN THIS DRAWING IS THE SOLE PROPERTY OF ROBERT MANUFACTURING. ANY REPRODUCTION IN PART OR AS A WHOLE WITHOUT THE WRITTEN PERMISSION OF ROBERT MANUFACTURING IS PROHIBITED.	UNLESS OTHERWISE SPECIFIED:	NAME	DATE
	DIMENSIONS ARE IN INCHES	DRAWN	N.MARC 6/7/16
	TOLERANCES:	CHECKED	
	FRACTIONAL ± 1/32	MFG APPR.	
	ANGULAR: MACH ± BEND ±	Q.A.	
TWO PLACE DECIMAL ±0.01			
THREE PLACE DECIMAL ±0.005			
FOUR PLACE DECIMAL ±0.0005			

SIZE	DWG. NO.	REV
A	664	C
SCALE: 1:2	SHEET 1 OF 1	