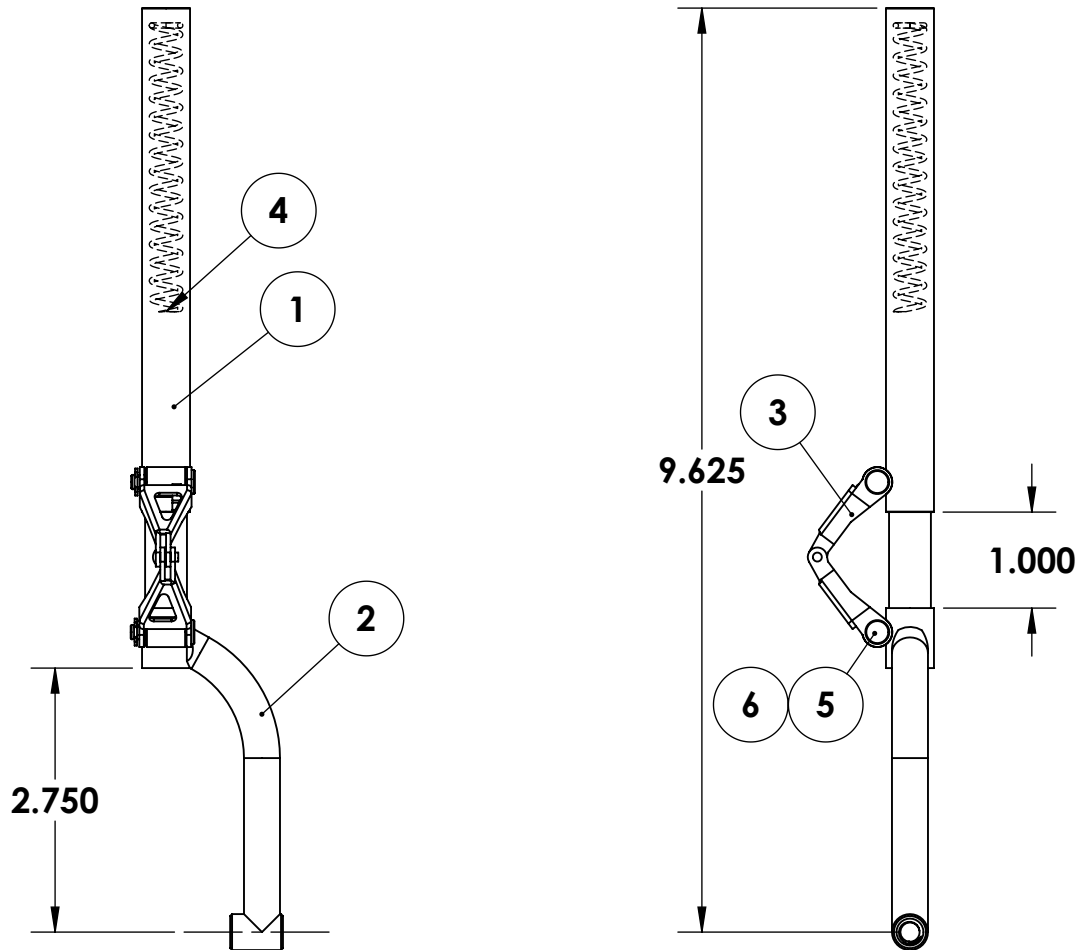


REVISIONS			
REV.	DESCRIPTION	DATE	APPROVED
B	DRAWN IN SOLIDWORKS	6/8/16	NM

BILL OF MATERIALS			
QTY.	ITEM NO.	DESCRIPTION	PART #
1	1	UPPER STRUT WELDMENT	622115A
1	2	OLEO RAM ASSEMBLY - RH	622316A
1	3	TORQUE LINK ASSEMBLY	620112A
1	4	COMPRESSION SPRING	150019P
2	5	CLEVIS PIN	620012M
2	6	E-CLIP	1039F

8" LONG SPRING



AXLE BAG ASSEMBLY - #671142A



MFG. INC. 155 OSWALT AVE.
BATAVIA, IL 60510

TITLE:

\varnothing 1/2" OFFSET
STRUT ASSEMBLY (LH)

PROPRIETARY AND CONFIDENTIAL	UNLESS OTHERWISE SPECIFIED:	NAME	DATE	SIZE	DWG. NO.	REV	
THE INFORMATION CONTAINED IN THIS DRAWING IS THE SOLE PROPERTY OF ROBART MANUFACTURING. ANY REPRODUCTION IN PART OR AS A WHOLE WITHOUT THE WRITTEN PERMISSION OF ROBART MANUFACTURING IS PROHIBITED.	DIMENSIONS ARE IN INCHES TOLERANCES: FRACTIONAL \pm 1/32 ANGULAR: MACH \pm BEND \pm TWO PLACE DECIMAL \pm 0.01 THREE PLACE DECIMAL \pm 0.005 FOUR PLACE DECIMAL \pm 0.0005	DRAWN	N.MARC	6/8/16	A	673L	B
		CHECKED					
		MFG APPR.					
		Q.A.					
				SCALE: 1:2	SHEET 1 OF 1		

5

4

3

2

1